



CITY 212

Frameless Mirror 0141N

Features

- Frameless, beveled glass design
- Solid brass, two-post tilting mechanism
- Easy-to-adjust viewing angle
- Complements City 212 product series

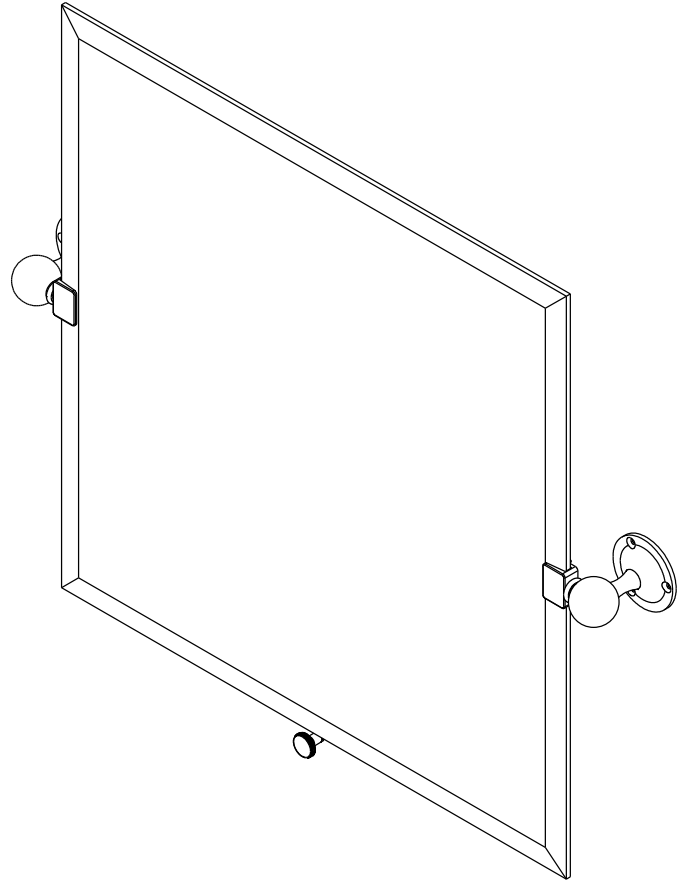
Codes / Standards Compliance

Meets or exceeds the following at date of manufacture:

- ADA (when installed in accordance with ADA guidelines)
- All applicable US Federal and State material regulations

Colors / Finishes

- ORB: Oil Rubbed Bronze
- PC: Polished Chrome
- PN: Polished Nickel
- SN: Satin Nickel
- Other: NA



Specified Model

Model	Description	Colors Finishes
0141N	20" x 20" Frameless Pivoting Mirror	<input type="checkbox"/> ORB <input type="checkbox"/> PC <input type="checkbox"/> PN <input type="checkbox"/> SN

Product Specification: Add glass type designator and "Color / Finish" suffix to Model number, below.

The Mirror shall incorporate a frameless, beveled glass design with a solid brass, two-post tilting mechanism allowing for customized viewing angles. Mirror shall incorporate an approximate width of 20" and an approximate height of 20". Mirror shall complement motiv City 212 product series. Mirror shall be motiv Model 0141N/_____.

0141N

Product Dimensions *(units are in inches)*

