

Talis S
Pot Filler, Deck-Mounted
 Finish: **chrome** Part no. : **04058000**



Description

Features

- Swivel range 360°
- Aerated spray
- Free-standing installation
- For cold water connection only
- Max. flow: 2.5 GPM (9.5 L/Min)
- Ceramic valves 90°
- ½" NPT

Item details

List Price \$ 1,042.00

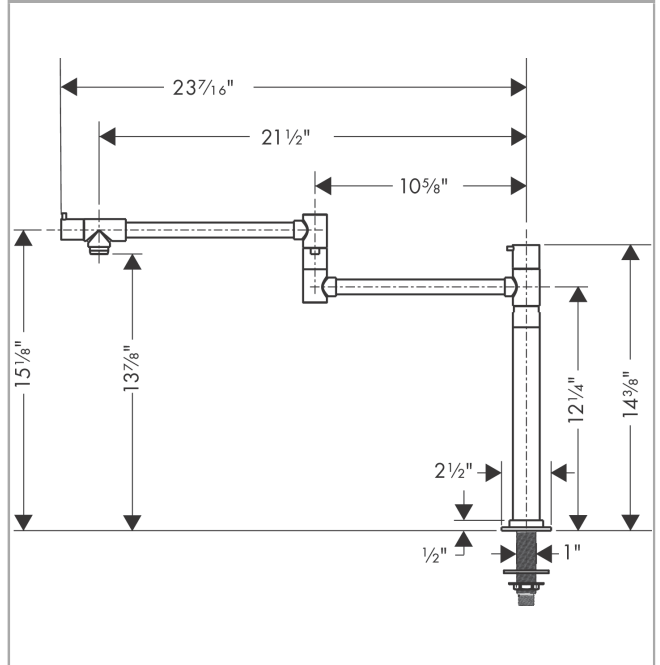
Compliance / Sustainability



Product image



Scale drawing

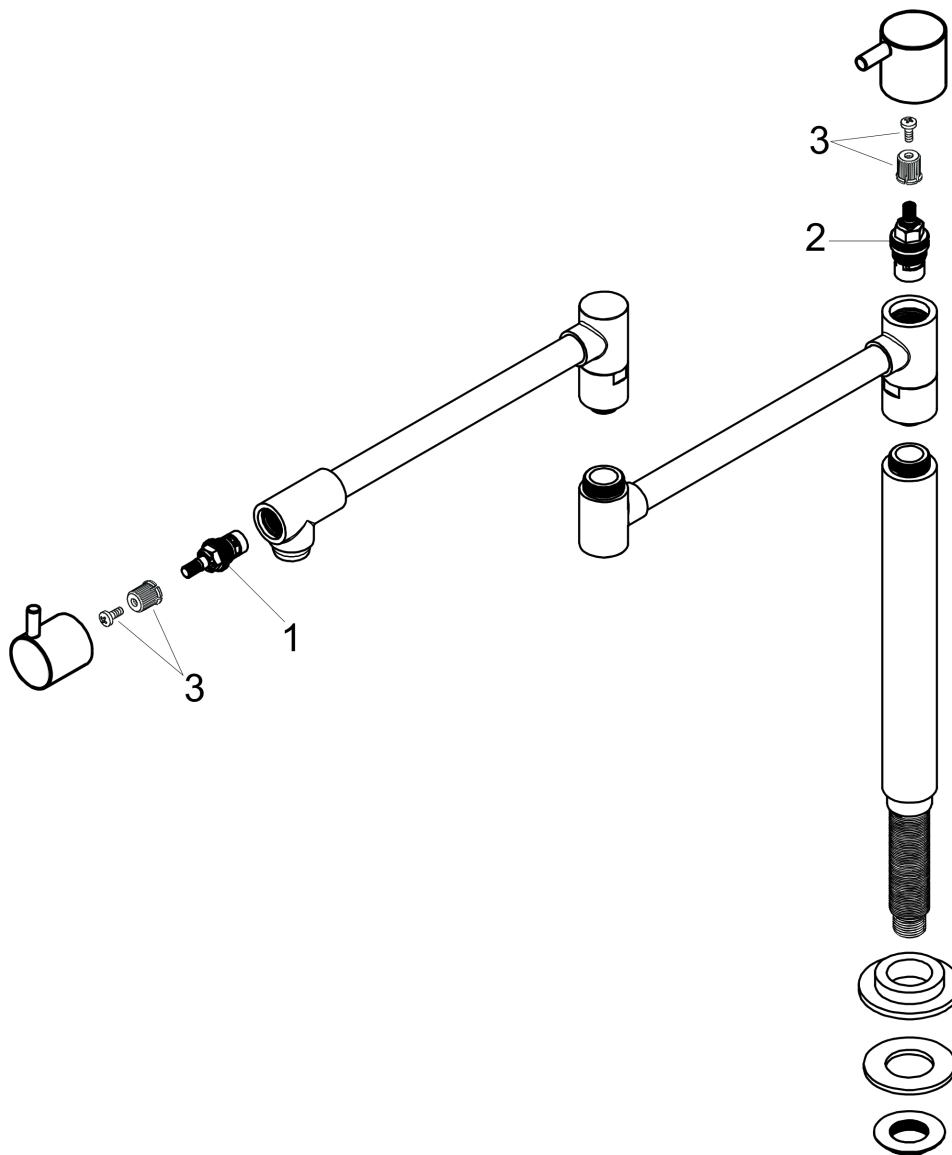


Talis S
Pot Filler, Deck-Mounted
 Finish: **chrome** Part no. : **04058000**



Exploded drawing

Year of production: 06/08 - 12/22



Talis S
Pot Filler, Deck-Mounted
 Finish: **chrome** Part no. : **04058000**



Spare parts list

Year of production: **06/08 - 12/22**

Pos.	Description	Part no.	Price	PU
1	shut off unit	88789000	-	1
2	shut off unit	88790000	-	1
3	handle fixing set	98932000	-	1