

**Allegro E
Pot Filler, Wall-Mounted**

Finish: **Steel Optic** Part no. : **04059860**



Description

Features

- Swivel range 180°
- Aerated spray
- Wall-mounted
- For cold water connection only
- Max. flow: 2.5 GPM (9.5 L/Min)
- Ceramic valves 90°
- 1/2" NPT

Item details

List Price \$ 1,693.00

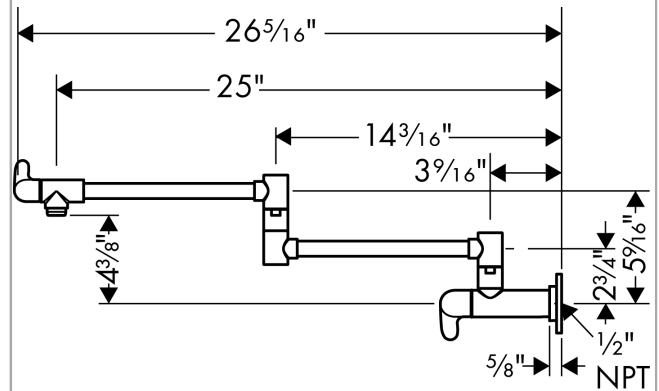
Compliance / Sustainability



Product image



Scale drawing

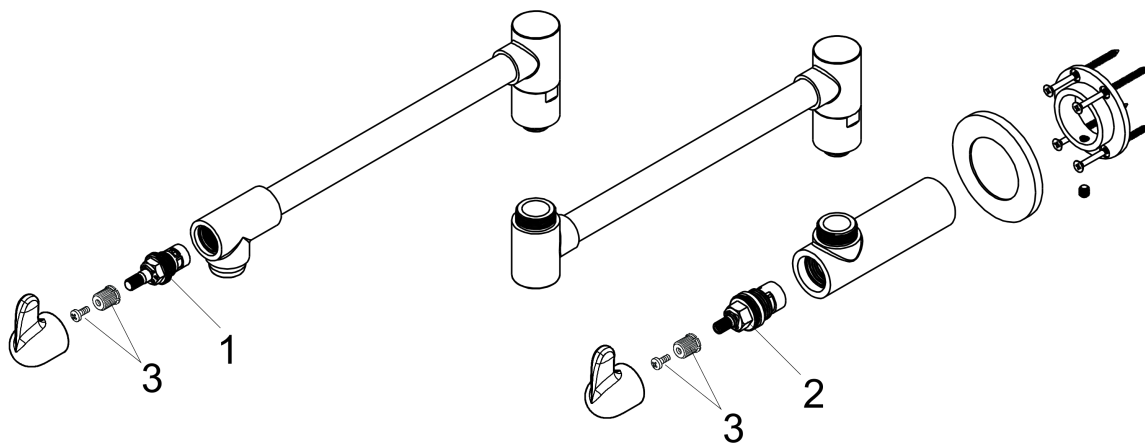


Allegro E
Pot Filler, Wall-Mounted
 Finish: **Steel Optic** Part no. : **04059860**



Exploded drawing

Year of production: >08/08



Allegro E
Pot Filler, Wall-Mounted
 Finish: **Steel Optic** Part no. : **04059860**



Spare parts list

Year of production: >08/08

Pos.	Description	Part no.	Price	PU
1	shut off unit	88789000	-	1
2	shut off unit	88790000	-	1
3	handle fixing set	98932000	-	1