

**Commercial  
Pressure Balance Trim C**  
Finish: **chrome** Part no. : **04212000**



**Description**

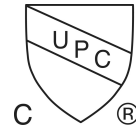
**Features**

- Temperature and on/off control for 1 outlet
- Max. flow: 4.5 GPM (17 L/Min)
- Integrated bypass for use with diverter tub spouts
- Connection type: Rough

**Item details**

List Price \$ 185.00

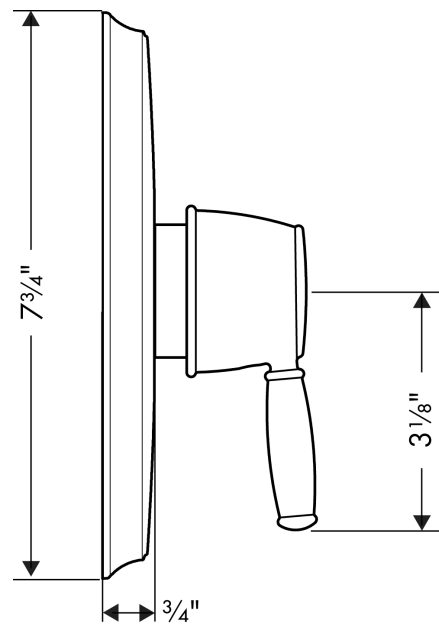
**Compliance / Sustainability**



**Product image**



**Scale drawing**

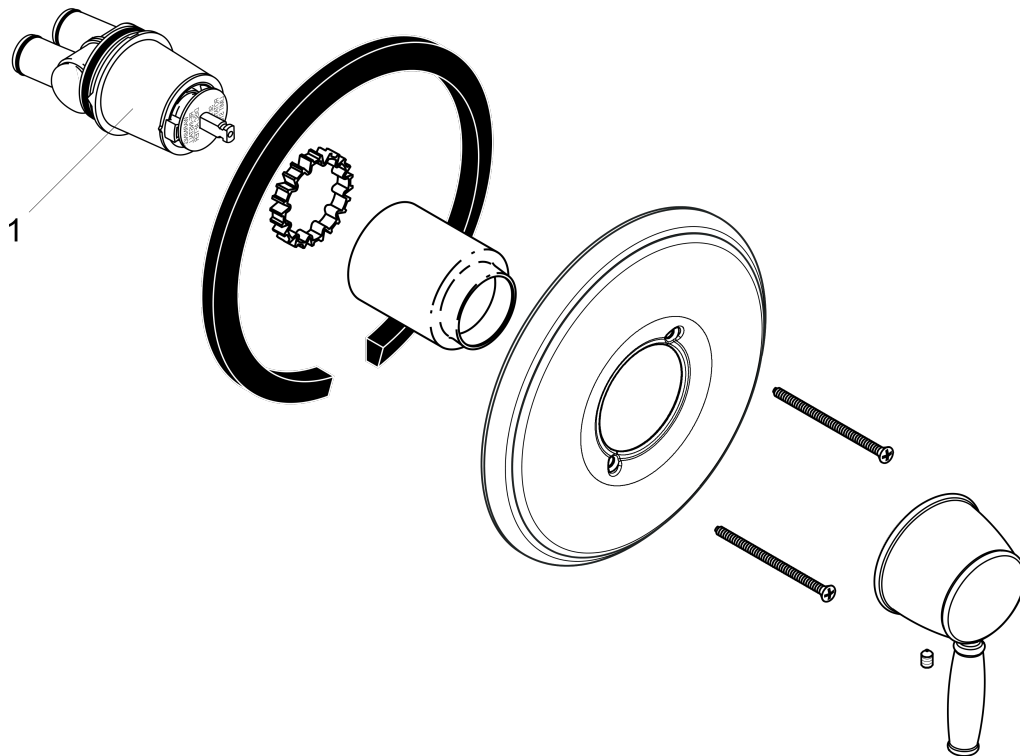


**Commercial**  
**Pressure Balance Trim C**  
Finish: **chrome** Part no. : **04212000**



Exploded drawing

Year of production: **10/08 - 02/24**



**Commercial**  
**Pressure Balance Trim C**  
 Finish: **chrome** Part no. : **04212000**



**Spare parts list**

Year of production: **10/08 - 02/24**

<b>Pos.</b>	<b>Description</b>	<b>Part no.</b>	<b>Price</b>	<b>PU</b>
1	cartridge, assy	88727000	-	1
a	base body	04120181	-	1
b	base body	04121181	-	1