

**Ecostat**  
**Thermostatic Trim S with Volume Control and Diverter**  
 Finish: **chrome** Part no. : **04231000**



**Description**

**Features**

- Volume control and diverter for 2 functions
- Thermostatic cartridge, Shut-off/ diverter valve
- Max. flow: 7.0 GPM (26.5 L/Min)
- Optimized for water-efficient shower products
- Anti-scald 100° safety stop

**Item details**

List Price \$ 802.00

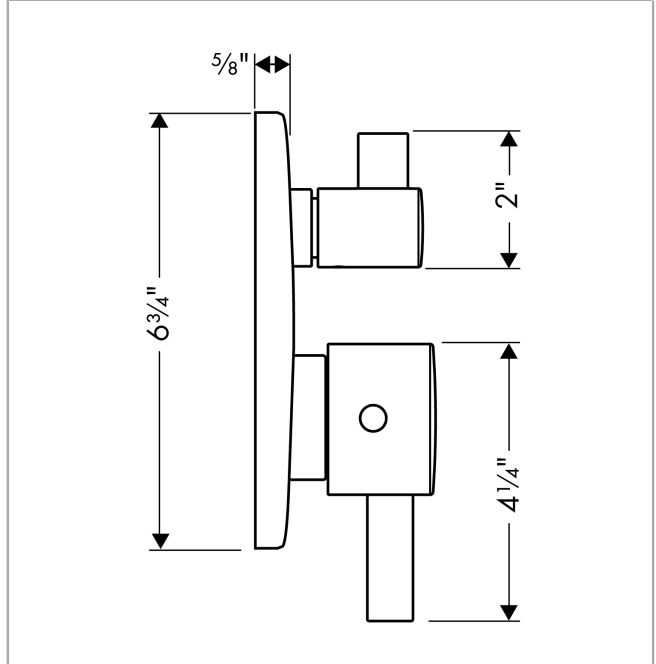
**Compliance / Sustainability**



**Product image**



**Scale drawing**

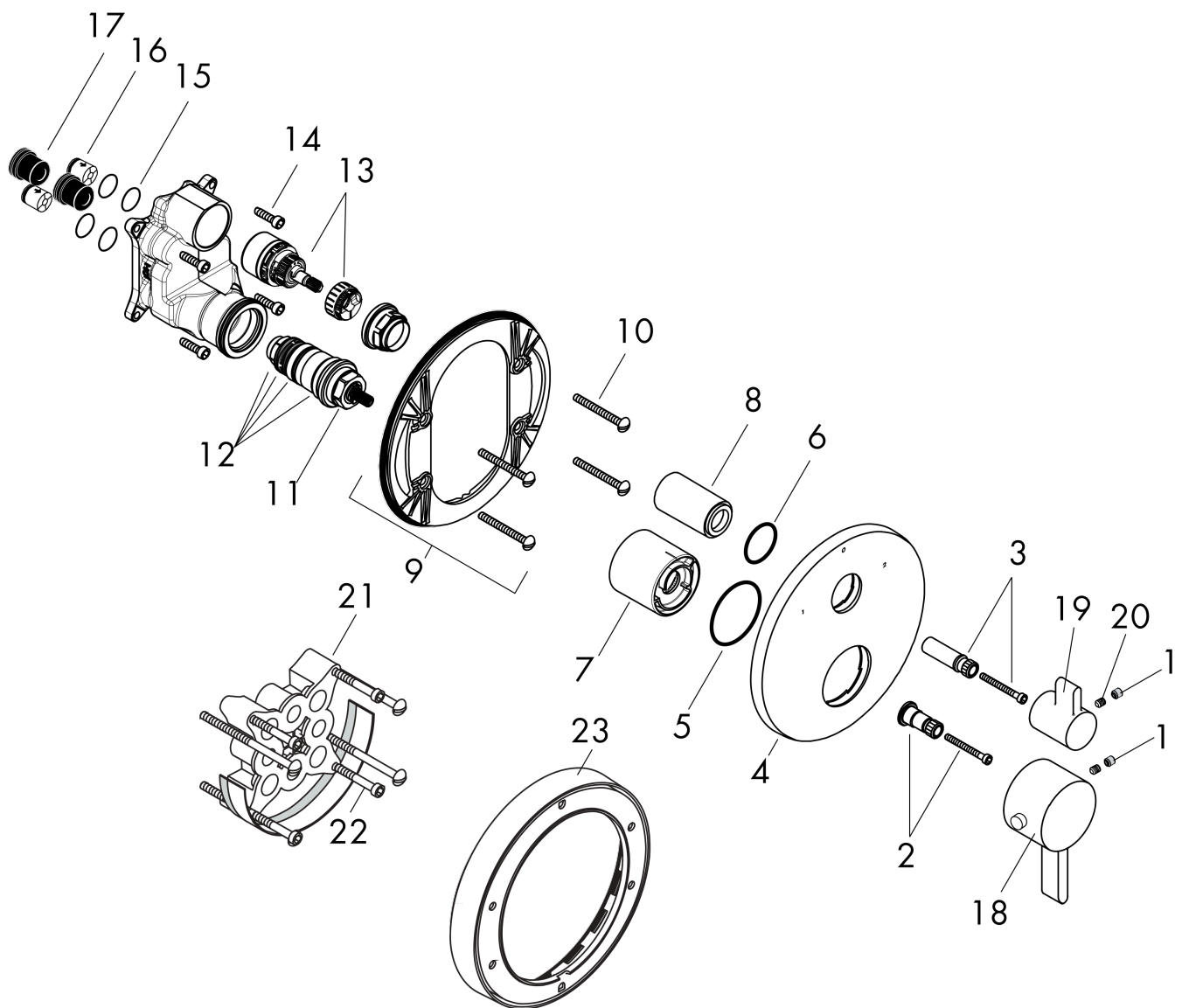


**Ecostat**  
**Thermostatic Trim S with Volume Control and Diverter**  
 Finish: **chrome** Part no. : **04231000**



Exploded drawing

Year of production: >12/09



## Ecostat

### Thermostatic Trim S with Volume Control and Diverter

Finish: **chrome** Part no. : **04231000**



#### Spare parts list

Year of production: >12/09

Pos.	Description	Part no.	Price	PU
1	screw cover	95181000	-	1
2	adapter for handle	96435000	-	1
3	adapter for handle	88772000	-	1
4	escutcheon Ø 170 mm	96552001	-	1
5	O-Ring 48x3	95508000	-	1
6	O-ring 29x3	98371000	-	1
7	sleeve	95550000	-	1
8	sleeve	95253000	-	1
9	sub plate	96447000	-	1
10	set of fixing screws	96454000	-	1
11	thermostat cartridge	94282000	-	1
12	sealing set	95037000	-	1
13	shut off unit with selector	98283000	-	1
14	set of screws	96525000	-	1
15	O-ring 16x2	98133000	-	1
16	set of non return valves DW 15	97350000	-	1
17	noise reduction	94073000	-	1
18	handle for thermostat	88770000	-	1
19	handle for shut off unit	88767000	-	1
20	hollow set screw M4x4	98540000	-	1
21	extension 25 mm	13595000	-	1
22	set of screws	93244000	-	1
23	extension 22 mm (Ø 170 mm)	13596000	-	1