

Talis S²
Prep Kitchen Faucet, 2-Spray Pull-Down, 1.75 GPM
 Finish: **Steel Optic** Part no. : **04286800**



Description

Features

- Swivel range 150°
- Aerated spray, needle spray, Shower spray pattern
- Non-locking spray diverter
- MagFit magnetic sprayhead docking
- Deck mounted
- Max. flow: 1.75 GPM (6.6 L/Min)
- Ceramic cartridge
- 3/8" connections
- Integrated double backflow prevention
- Extension length up to 19 5/8" (50cm)
- Single lever kitchen mixer, connection hoses, Fastening set, service key, Assembly instructions

Item details

List Price \$ 1,005.00

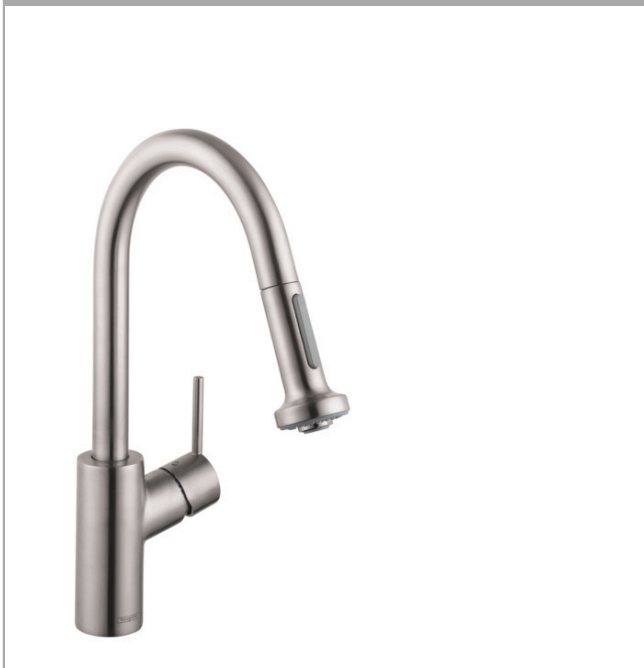
Technology



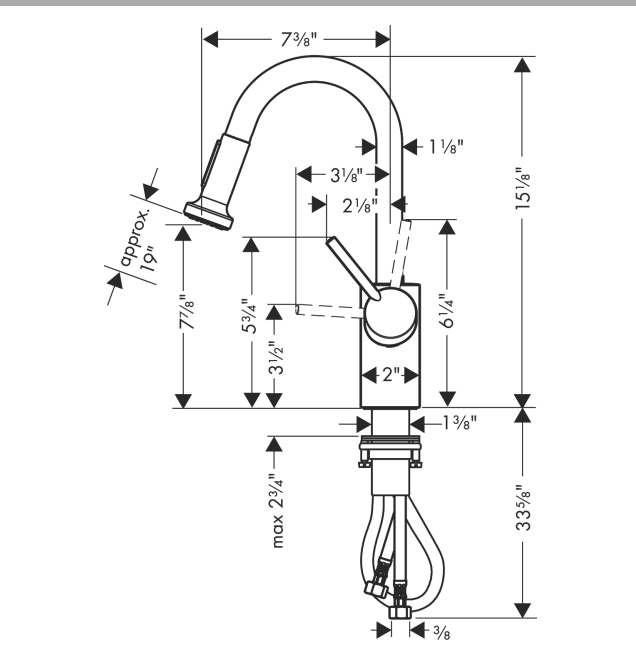
Compliance / Sustainability



Product image



Scale drawing

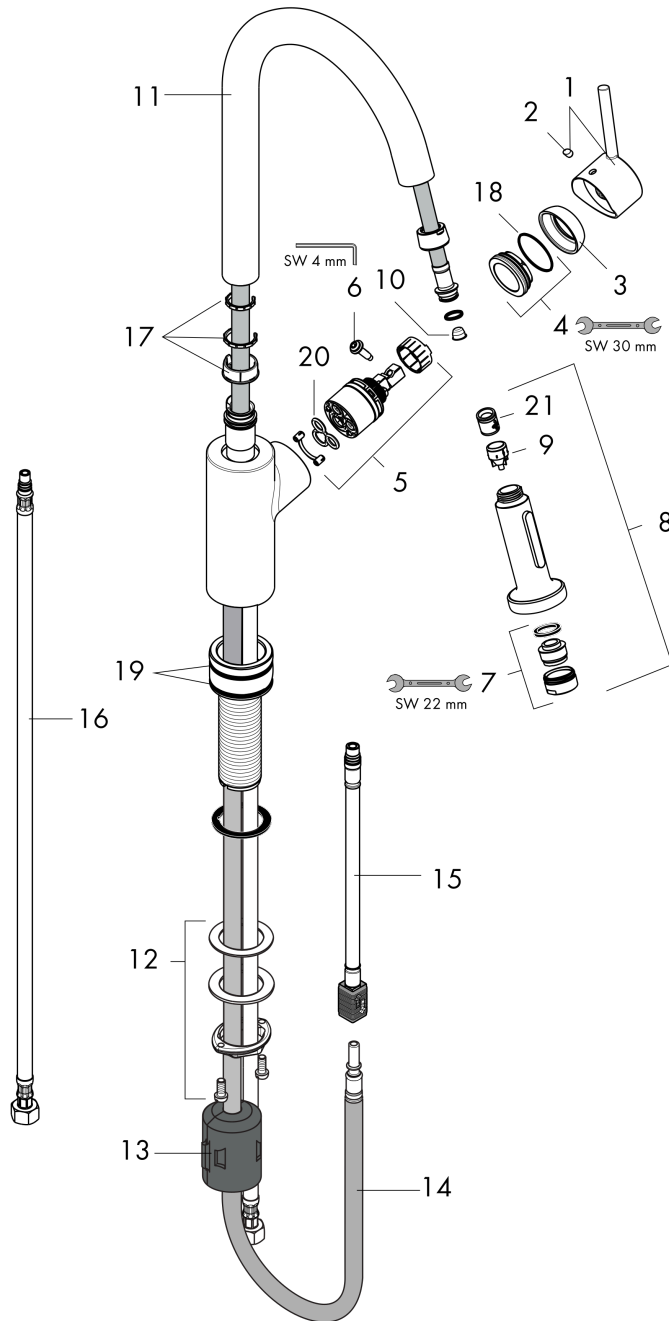


Talis S²
Prep Kitchen Faucet, 2-Spray Pull-Down, 1.75 GPM
 Finish: **Steel Optic** Part no. : **04286800**



Exploded drawing

Year of production: >11/20



Talis S²

Prep Kitchen Faucet, 2-Spray Pull-Down, 1.75 GPM

Finish: **Steel Optic** Part no. : **04286800**



Spare parts list

Year of production: >11/20

Pos.	Description	Part no.	Price	PU
1	handle	95560800	-	1
2	screw cover	96338000	-	1
3	flange	95498800	-	1
4	nut	97209000	-	1
5	cartridge, assy	92730000	-	1
6	locking screw for handle	95140000	-	1
7	aerator M24x1 (15 l/min)	13913800	-	1
8	spray head cpl.	88658860	-	1
9	set of non return valves DW 15	97350000	-	1
10	filter	97735000	-	1
12	fixing set (Ø 34)	95049000	-	1
13	weight	98551000	-	1
14	hose 1,50 m	88624000	-	1
15	connection hose 600 mm M10x1	95561000	-	1
16	connection hose 35½" M8x0,75 3/8"	96316001	-	1
17	set of lever collars	98365000	-	1
20	seal	95008000	-	1
21	non return valve	93218000	-	1