

**Ecostat**  
**Pressure Balance Trim S with Diverter**  
 Finish: **brushed nickel** Part no. : **04447820**



**Description**

**Features**

- Temperature and on/off control for 2 outlets
- Pressure balance cartridge, Shut-off/ diverter valve

**Item details**

List Price \$ 582.00

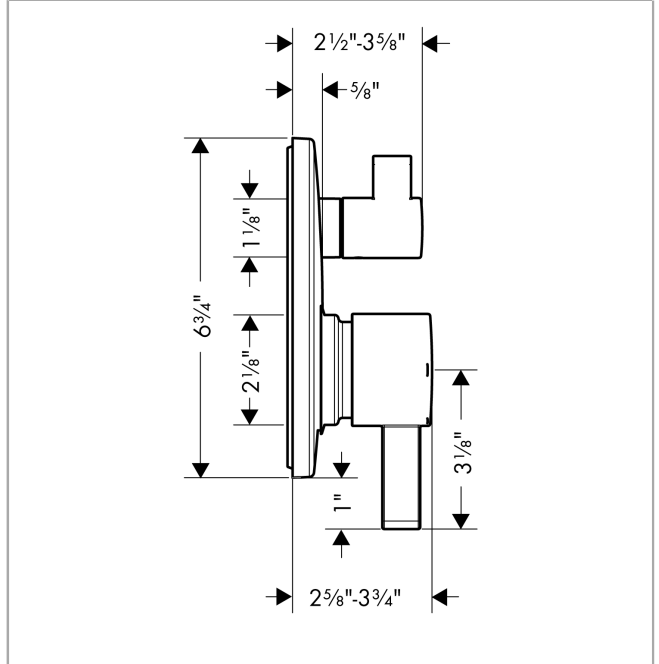
**Compliance / Sustainability**



**Product image**



**Scale drawing**

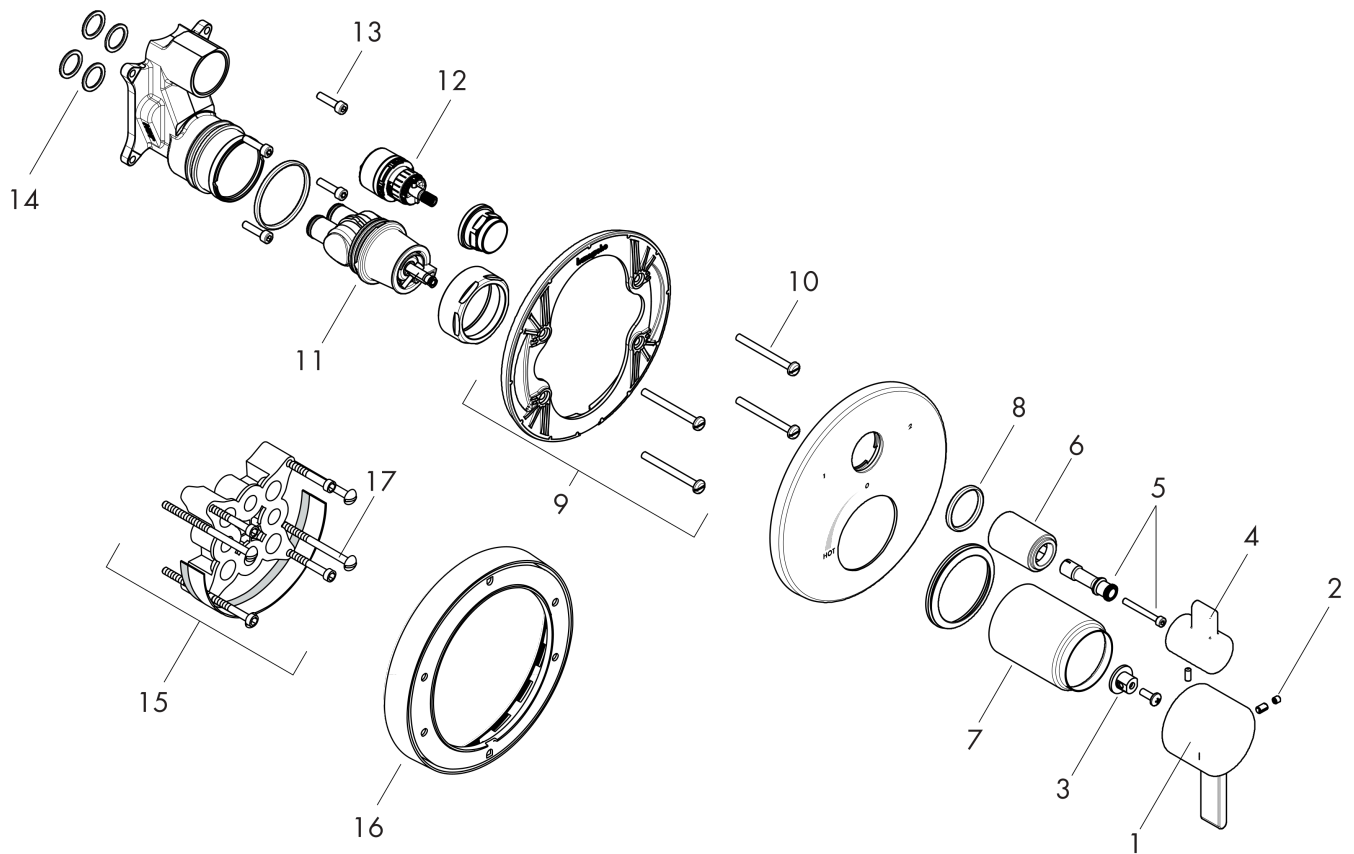


**Ecostat**  
**Pressure Balance Trim S with Diverter**  
 Finish: brushed nickel Part no. : 04447820



Exploded drawing

Year of production: >04/12



**Ecostat**

**Pressure Balance Trim S with Diverter**

Finish: **brushed nickel** Part no. : **04447820**



**Spare parts list**

Year of production: >04/12

Pos.	Description	Part no.	Price	PU
1	handle	88763820	-	1
2	screw cover	95181000	-	1
3	adapter for handle	92756000	-	1
4	handle for shut off unit	88767820	-	1
5	adapter for handle	88772000	-	1
6	sleeve	95253820	-	1
7	sleeve	88765820	-	1
8	O-ring 29x3	98371000	-	1
9	sub plate	96447000	-	1
10	set of fixing screws	96454000	-	1
11	cartridge, assy	88727000	-	1
12	shut off unit	95800000	-	1
13	set of screws	96525000	-	1
14	O-ring 16x2	98133000	-	1
15	extension 25 mm	13595000	-	1
16	extension 22 mm (Ø 170 mm)	13596820	-	1
17	set of fixing screws	97747000	-	1