

**Ecostat Classic**  
**Pressure Balance Trim with Diverter, Round**  
 Finish: **polished nickel** Part no. : **04449830**



**Description**

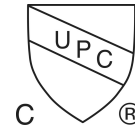
**Features**

- Temperature and on/off control for 2 outlets
- Outlets may be operated simultaneously
- Max. flow: 4.5 GPM (17 L/Min)
- Connection type: Rough

**Item details**

List Price \$ 560.00

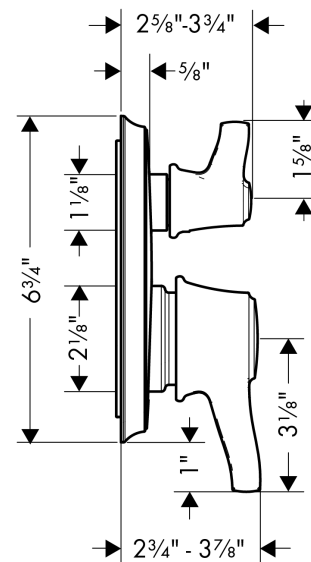
**Compliance / Sustainability**



**Product image**



**Scale drawing**

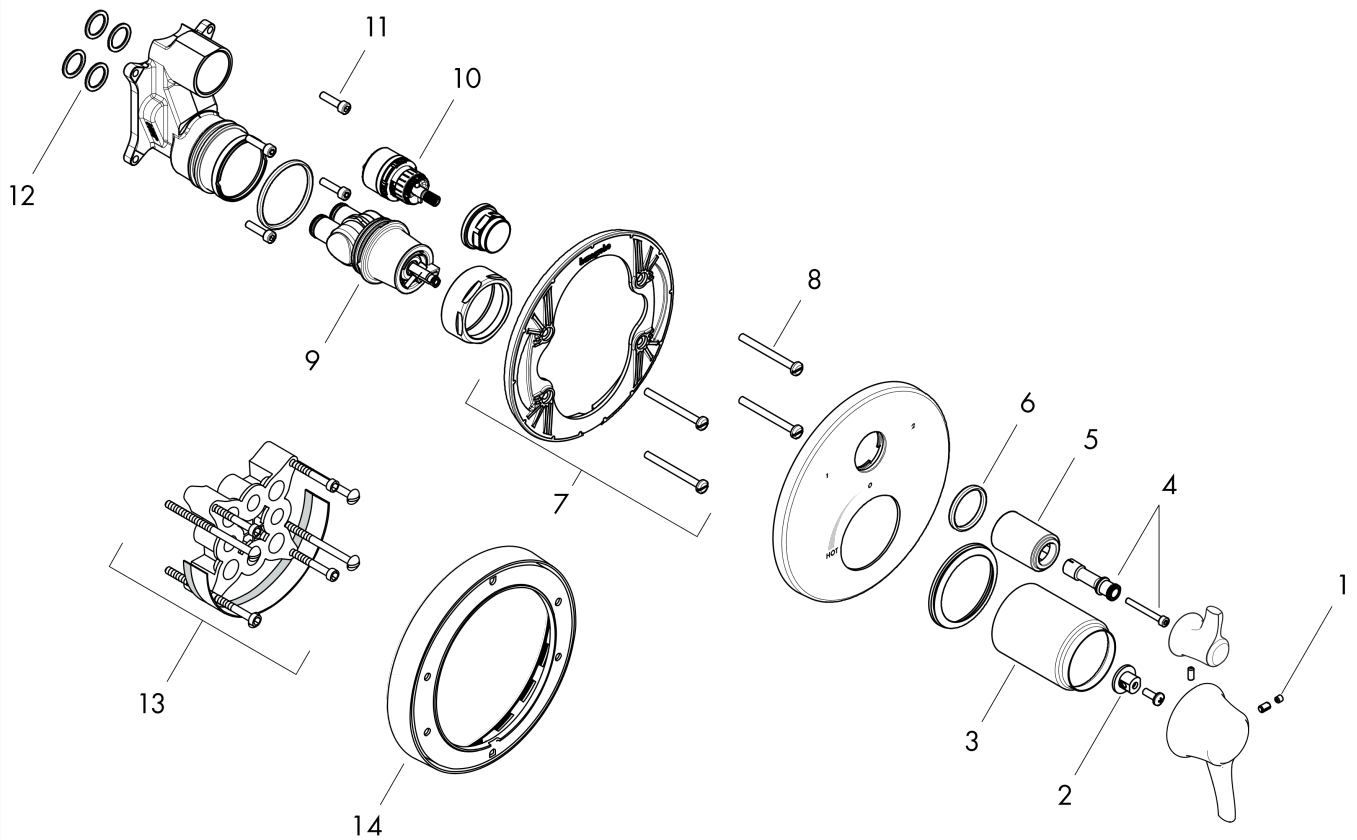


**Ecostat Classic**  
**Pressure Balance Trim with Diverter, Round**  
 Finish: **polished nickel** Part no. : **04449830**



**Exploded drawing**

Year of production: >01/13



**Ecostat Classic**  
**Pressure Balance Trim with Diverter, Round**  
 Finish: **polished nickel** Part no. : **04449830**



**Spare parts list**

Year of production: >01/13

Pos.	Description	Part no.	Price	PU
1	screw cover	95181000	-	1
2	adapter for handle	92756000	-	1
3	sleeve	88765830	-	1
4	adapter for handle	88772000	-	1
5	sleeve	95253830	-	1
6	O-ring 29x3	98371000	-	1
7	holder for escutcheon	98793000	-	1
8	set of fixing screws	96454000	-	1
9	cartridge, assy	88727000	-	1
10	shut off unit	95800000	-	1
11	set of screws	96525000	-	1
12	O-ring 16x2	98133000	-	1
13	extension 25 mm	13595000	-	1
14	extension 22 mm (Ø 170 mm)	13596830	-	1
a	base body	01850181	-	1