

Raindance Select S
Handshower Set 150 3-Jet, 2.5 GPM
 Finish: **chrome** Part no. : **04487000**



Description

Features

- Consists of: Handshower, Handshower holder, Shower hose, Handshower holder
- Integrated support function
- Spray modes: RainAir, CaresseAir, Mix
- Select button for comfortable alternation of spray modes
- Max. flow: 2.5 GPM (9.5 L/Min)
- Pivot connector prevents hose from tangling
- 26° adjustment
- Rinseable screen seal

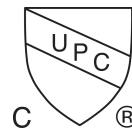
Item details

List Price \$ 321.00

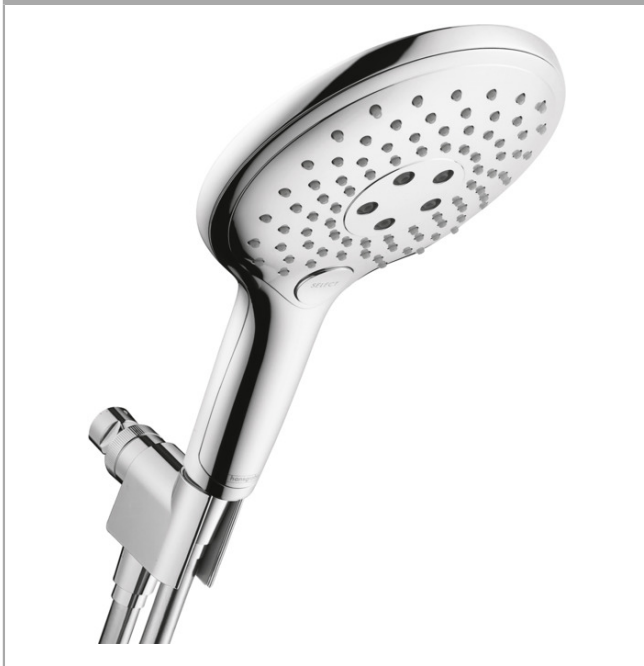
Technology



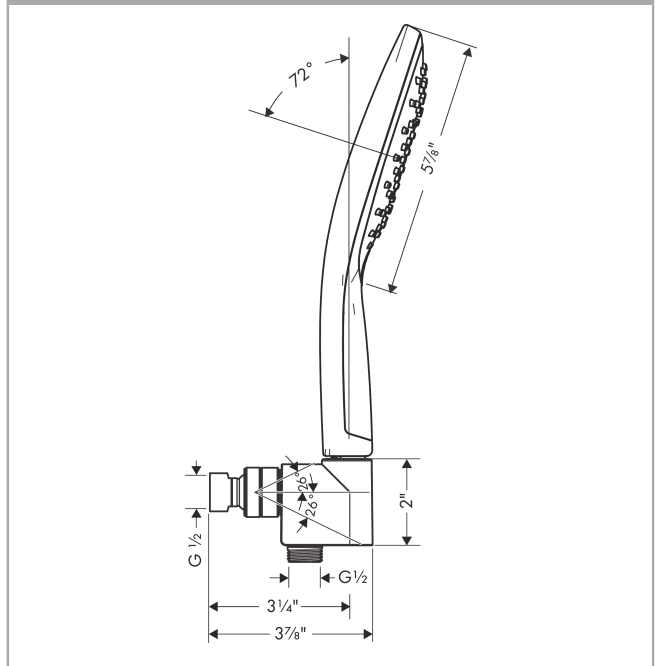
Compliance / Sustainability



Product image



Scale drawing

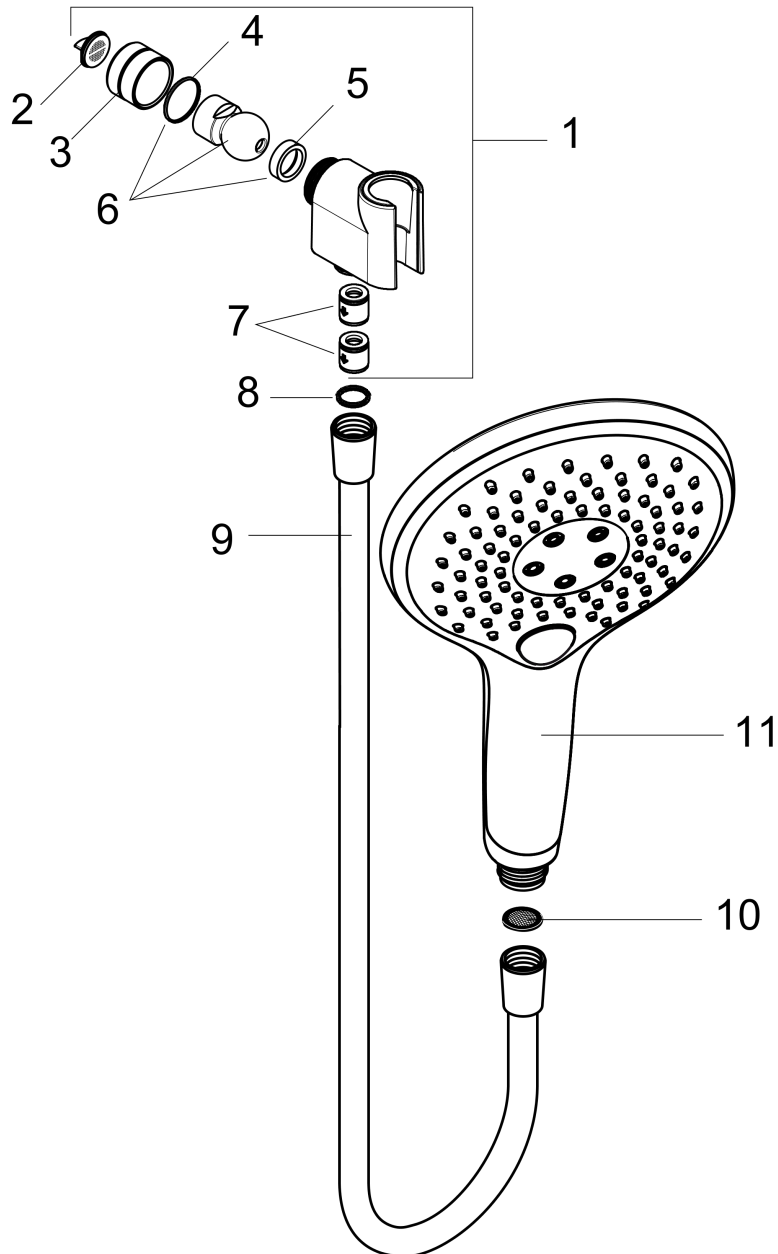


Raindance Select S
Handshower Set 150 3-Jet, 2.5 GPM
 Finish: **chrome** Part no. : **04487000**



Exploded drawing

Year of production: >03/19



Raindance Select S
Handshower Set 150 3-Jet, 2.5 GPM
 Finish: **chrome** Part no. : **04487000**



Spare parts list

Year of production: >03/19

Pos.	Description	Part no.	Price	PU
1	support	04580000	-	1
2	filter packing	88649000	-	1
3	nut	97958000	-	1
4	lever collar	97536000	-	1
5	seal	97606000	-	1
6	ball joint	97331000	-	1
7	set of non return valves DW 15	94074000	-	1
8	seal	98058000	-	1
9	shower hose 1,60 m	28276003	-	1
10	filter packing	94246000	-	1
11	handshower	28588001	-	1