

Commercial Pressure Balance Trim E

Finish: **brushed nickel** Part no. : **04496820**



Description

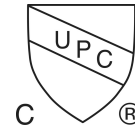
Features

- Max. flow: 5.44 GPM (20.6 L/Min)
- Connection type: Rough

Item details

List Price \$ 310.00

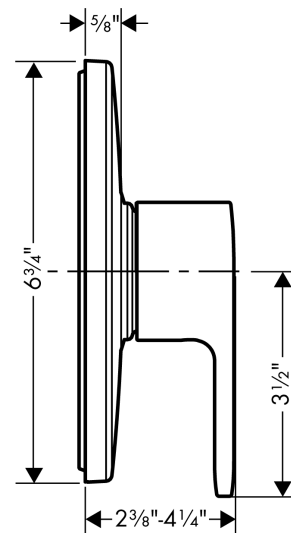
Compliance / Sustainability



Product image



Scale drawing

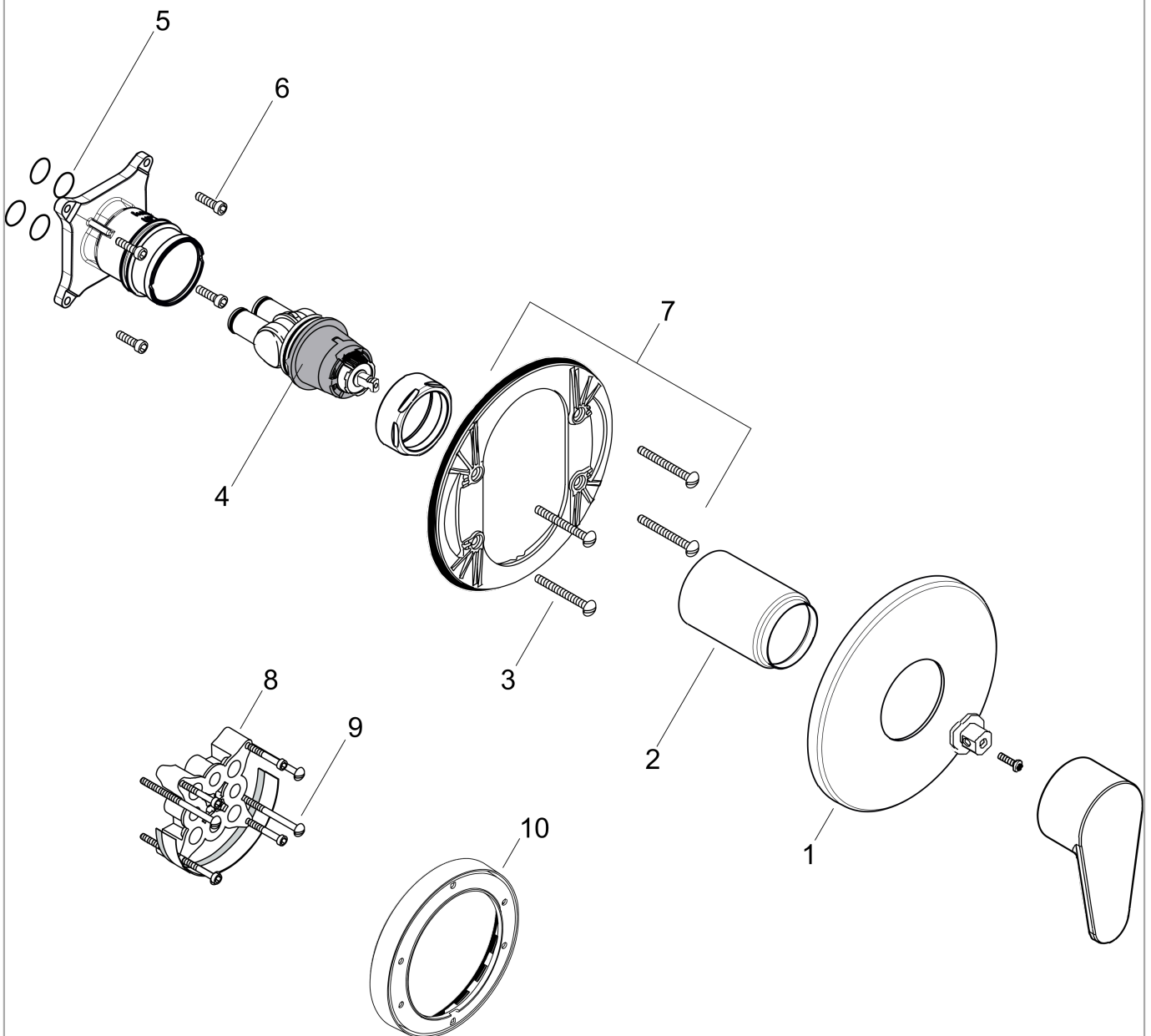


Commercial
Pressure Balance Trim E
 Finish: **brushed nickel** Part no. : **04496820**



Exploded drawing

Year of production: >08/12



**Commercial
Pressure Balance Trim E**

Finish: **brushed nickel** Part no. : **04496820**



Spare parts list

Year of production: >08/12

Pos.	Description	Part no.	Price	PU
1	escutcheon	88760820	-	1
2	sleeve	88765820	-	1
3	set of fixing screws	96454000	-	1
4	cartridge, assy	88727000	-	1
5	O-ring 16x2	98133000	-	1
6	set of screws	96525000	-	1
7	sub plate	96447000	-	1
8	extension 25 mm	13595000	-	1
9	set of fixing screws	97747000	-	1
10	extension 22 mm (Ø 170 mm)	13596820	-	1