

**Metris C**  
**Tub Spout**  
 Finish: **rubbed bronze** Part no. : **13413921**



**Description**

**Features**

- Max. flow: 5.68 GPM
- Solid Brass
- Includes: 1/2" female and 3/4" male adaptor

**Item details**

List Price \$ 278.00

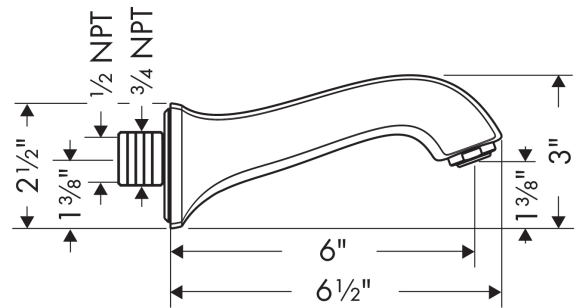
**Compliance / Sustainability**



**Product image**



**Scale drawing**

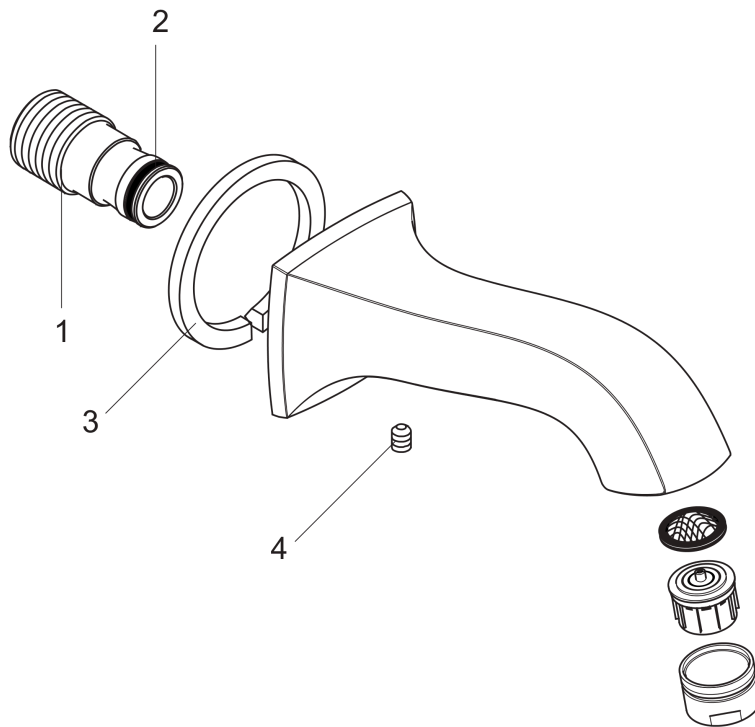


**Metris C**  
**Tub Spout**  
 Finish: **rubbed bronze**    Part no. : **13413921**



**Exploded drawing**

Year of production: >04/09



**Metris C**  
**Tub Spout**  
 Finish: **rubbed bronze**    Part no. : **13413921**



**Spare parts list**

Year of production: >04/09

Pos.	Description	Part no.	Price	PU
1	connecting thread	95658001	-	1
2	O-ring 13x2	98128000	-	1
3	seal	97530000	-	1
4	hollow set screw M6x8	97810000	-	1
a	aerator M24x1 (25 l/min)	13914920	-	1