

Talis C
Tube Spout
 Finish: **brushed nickel** Part no. : **14148821**



Description

Features

- Max. flow: 6.5 GPM (24.6 L/Min)
- Solid Brass
- Includes: 1/2" female and 3/4" male adaptor

Item details

List Price \$ 341.00

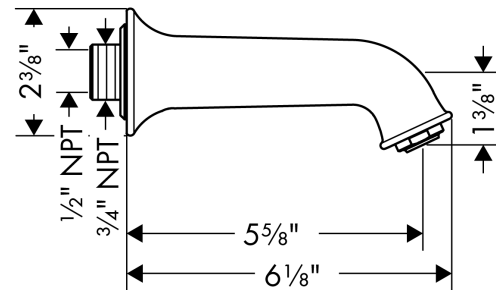
Compliance / Sustainability



Product image



Scale drawing

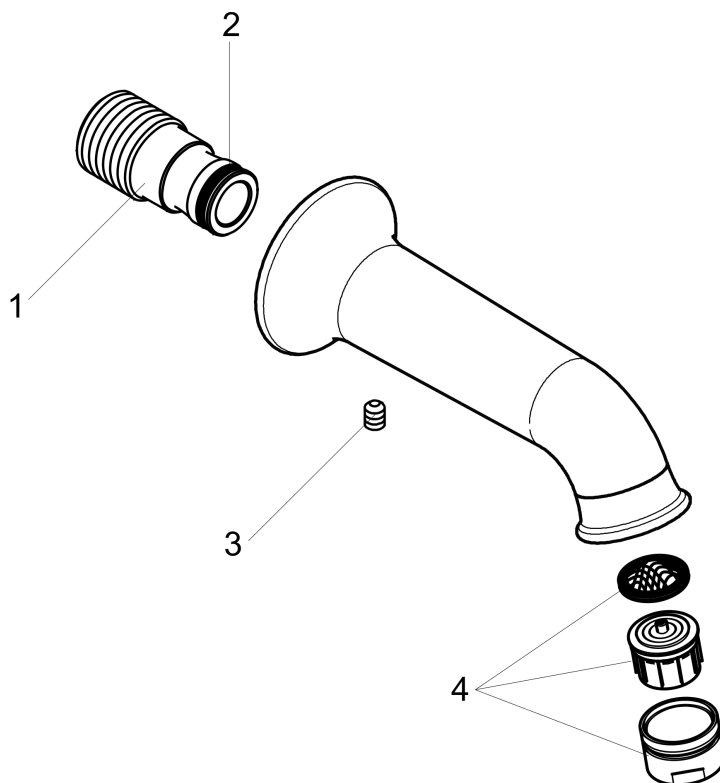


Talis C
Tube Spout
 Finish: **brushed nickel** Part no. : **14148821**



Exploded drawing

Year of production: >08/09



Talis C
Tub Spout
 Finish: **brushed nickel** Part no. : **14148821**



Spare parts list

Year of production: >08/09

Pos.	Description	Part no.	Price	PU
1	connecting thread	96472001	-	1
2	O-ring 16x2,5	98134000	-	1
3	hollow set screw M6x8	97810000	-	1
4	aerator M24x1 (25 l/min)	13914820	-	1