

Metris S

Tub Spout with Diverter

Finish: **chrome** Part no. : **14414001**



Description

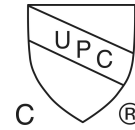
Features

- Max. flow: 5.0 GPM (19 L/Min)
- Solid Brass
- Includes: 1/2" female and 3/4" male adaptor
- Installation instructions: For use with pressure balance valve only

Item details

List Price \$ 283.00

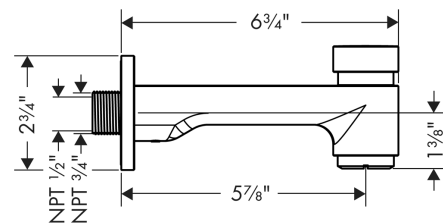
Compliance / Sustainability



Product image



Scale drawing

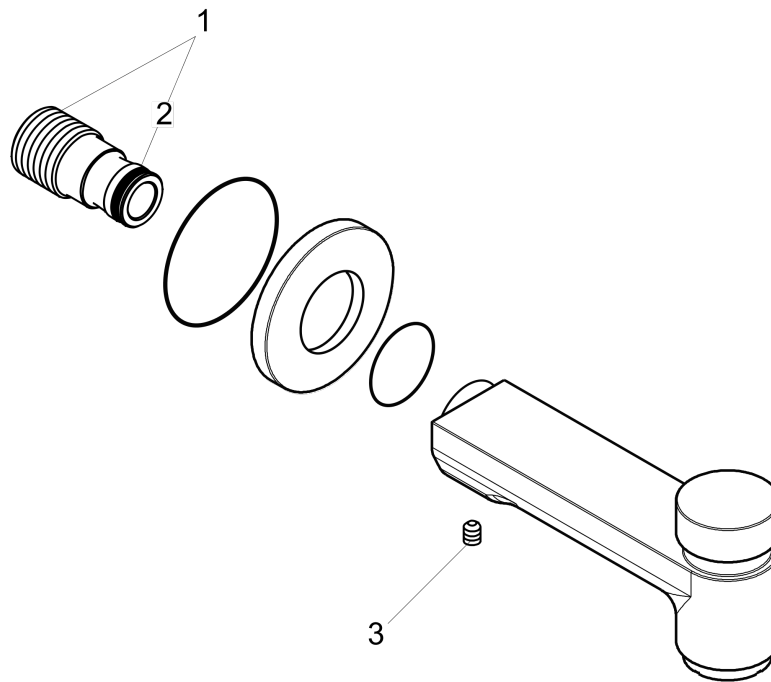


Metris S
Tub Spout with Diverter
 Finish: **chrome** Part no. : **14414001**



Exploded drawing

Year of production: >06/07



Metris S

Tub Spout with Diverter

Finish: **chrome** Part no. : **14414001**



Spare parts list

Year of production: >**06/07**

Pos.	Description	Part no.	Price	PU
1	connecting thread	96472001	-	1
2	O-ring 16x2,5	98134000	-	1
3	hollow set screw M6x8	97810000	-	1