

Ecostat Classic
Pressure Balance Trim, Round
 Finish: **rubbed bronze** Part no. : **15404921**



Description

Features

- Temperature and on/off control for 1 outlet
- Max. flow: 5.44 GPM (20.6 L/Min)
- Integrated bypass for use with diverter tub spouts
- Connection type: Rough

Item details

List Price \$ 376.00

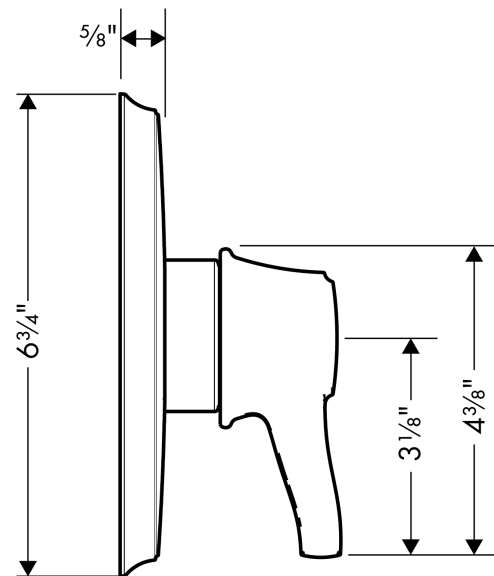
Compliance / Sustainability



Product image



Scale drawing

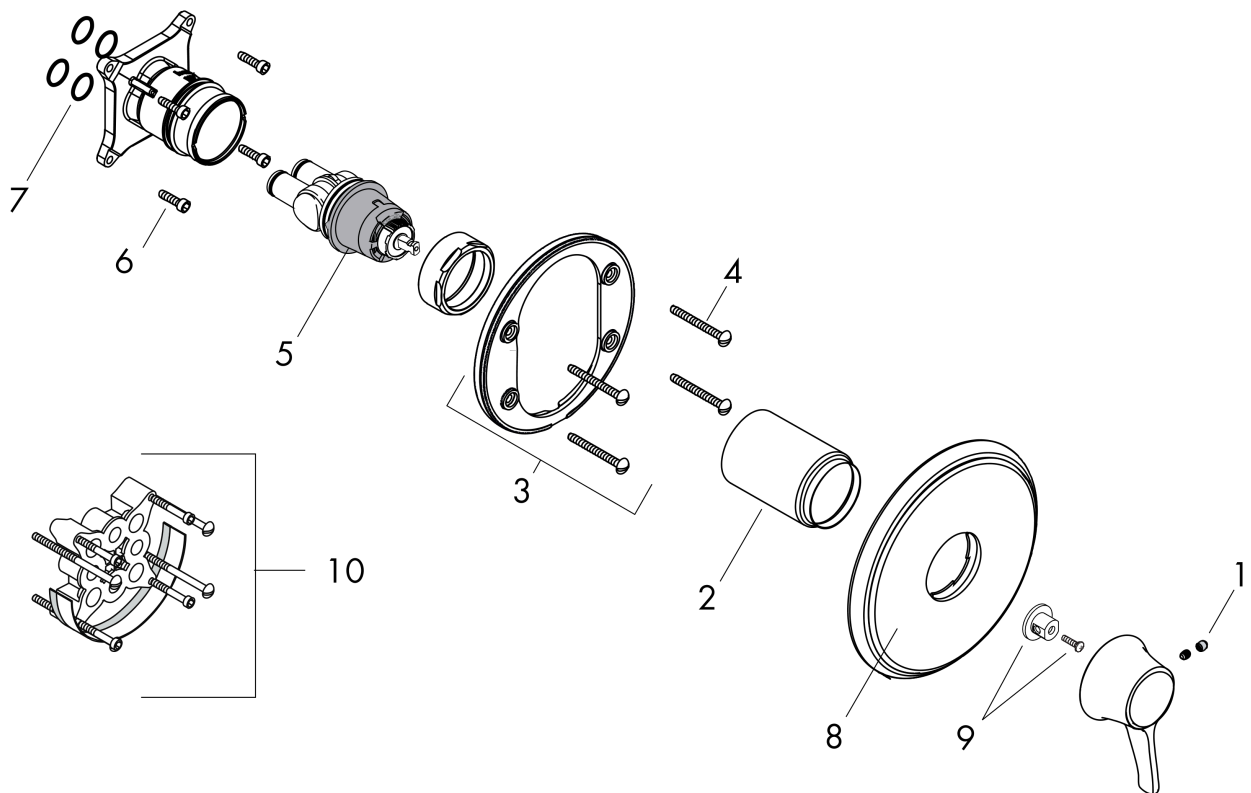


Ecostat Classic
Pressure Balance Trim, Round
 Finish: rubbed bronze Part no. : 15404921



Exploded drawing

Year of production: >03/18



Ecostat Classic
Pressure Balance Trim, Round
 Finish: **rubbed bronze** Part no. : **15404921**



Spare parts list

Year of production: >03/18

Pos.	Description	Part no.	Price	PU
1	screw cover	95181000	-	1
2	holder for escutcheon	98793000	-	1
3	sleeve	88765620	-	1
4	set of fixing screws	96454000	-	1
5	cartridge, assy	88727000	-	1
6	set of screws	96525000	-	1
7	O-ring 16x2	98133000	-	1
10	extension 25 mm	13595000	-	1
A	extension 22 mm (Ø 170 mm)	13596920	-	1