

Ecostat Classic
Thermostatic Trim with Volume Control, Round
 Finish: **brushed nickel** Part no. : **15752821**



Description

Features

- Volume control for 1 function
- Thermostatic cartridge, Ceramic cartridge
- Max. flow: 6.0 GPM (22.7 L/Min)
- Anti-scald 100° safety stop

Item details

List Price \$ 983.00

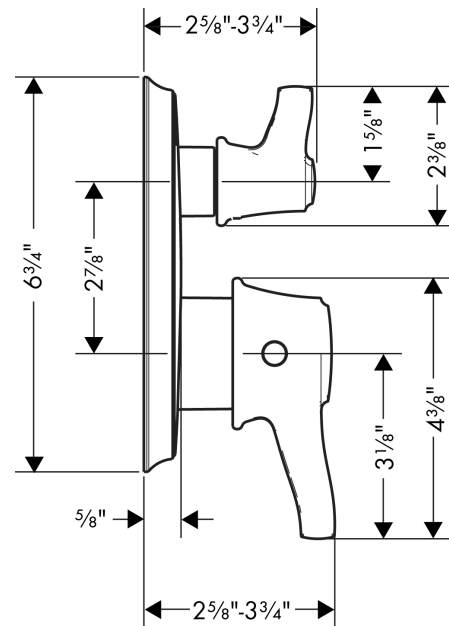
Compliance / Sustainability



Product image



Scale drawing

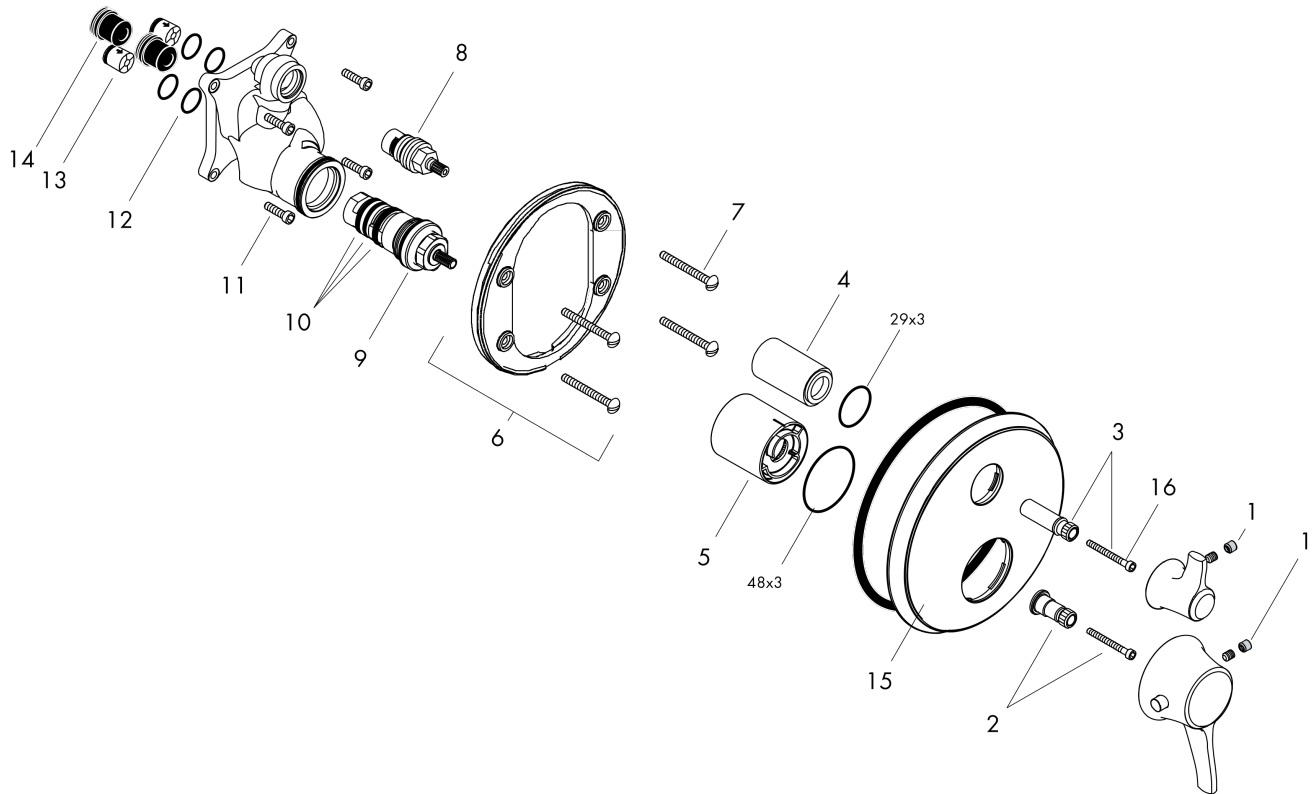


Ecostat Classic
Thermostatic Trim with Volume Control, Round
 Finish: brushed nickel Part no. : 15752821



Exploded drawing

Year of production: >12/10



Ecostat Classic
Thermostatic Trim with Volume Control, Round
 Finish: **brushed nickel** Part no. : **15752821**



Spare parts list

Year of production: >12/10

Pos.	Description	Part no.	Price	PU
1	screw cover	95181000	-	1
2	adapter for handle	96435000	-	1
3	adapter for handle	96451000	-	1
4	sleeve	96446820	-	1
5	sleeve	95550820	-	1
6	holder for escutcheon	98793000	-	1
7	set of fixing screws	96454000	-	1
8	shut off unit right closing	94009000	-	1
9	thermostat cartridge	94282000	-	1
10	sealing set	95037000	-	1
11	set of screws	96525000	-	1
12	O-ring 16x2	98133000	-	1
13	set of non return valves DW 15	94074000	-	1
14	noise reduction	94073000	-	1
15	escutcheon Ø 170 mm	95555821	-	1
16	hexagon socket screw M4x35	92160000	-	1
a	extension 25 mm	13595000	-	1
b	extension 22 mm (Ø 170 mm)	13596820	-	1
c	O-Ring 48x3	95508000	-	1
d	O-ring 29x3	98371000	-	1
e	non return valve with filter	92499000	-	1
f	set of screws	93244000	-	1