

**Croma**  
**Showerpipe 150 1-Jet with Tub Filler, 2.0 GPM**  
 Finish: **chrome** Part no. : **27143001**



## Description

### Features

- Spray type overhead shower: RainAir
- Shower outlet flow: 2.0 GPM (7.6 L/Min)
- Tub spout flow: 5.0 GPM (19 L/Min)
- Flow rate of hand shower at 3 bar: 1.8 GPM (6.8 L/Min)
- Max. flow for Showerpipe: 2.0 GPM (7.6 L/Min)
- Height-adjustable hand shower holder
- Anti-scald 100° safety stop
- Integrated volume control/diverter for 2 functions
- Outlets may not be operated simultaneously
- Exposed installation
- Thermostatic cartridge
- Intrinsically safe against backflow
- 3 functions

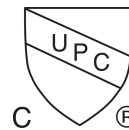
## Item details

List Price \$ 1,520.00

## Technology



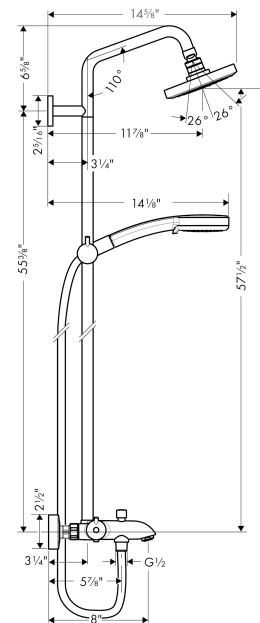
## Compliance / Sustainability



## Product image



## Scale drawing

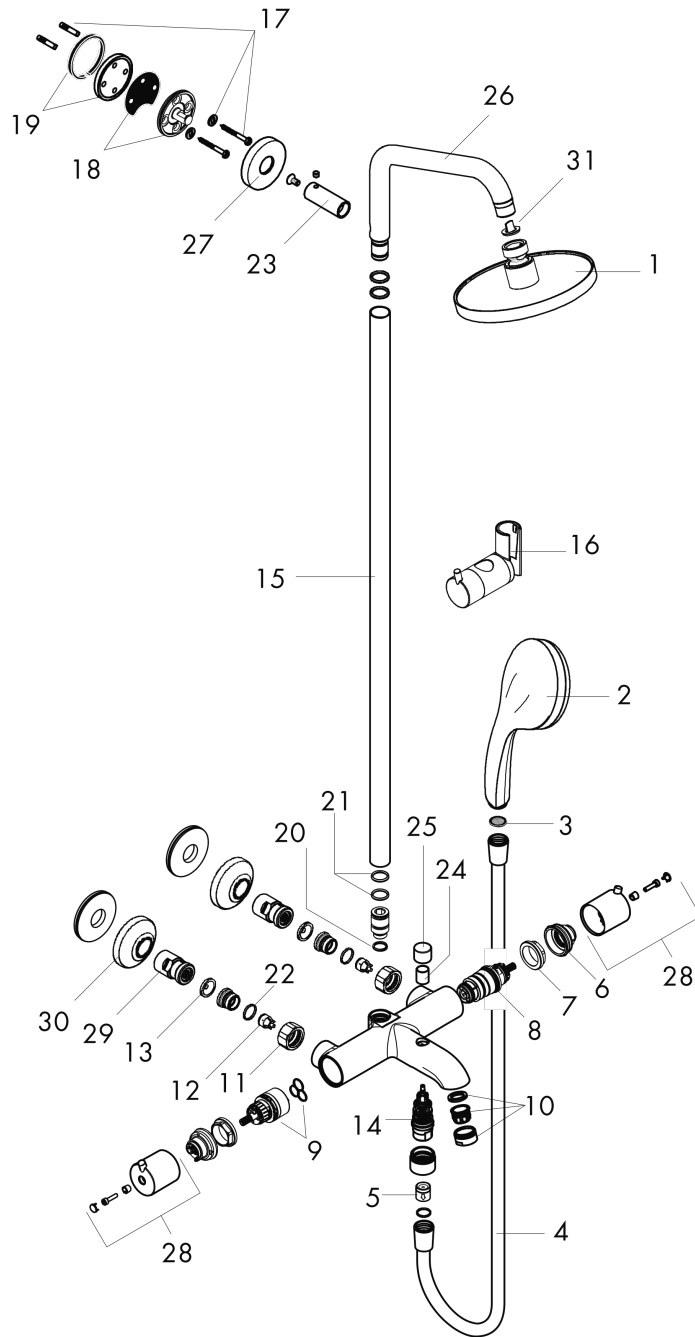


**Croma**  
**Showerpipe 150 1-Jet with Tub Filler, 2.0 GPM**  
 Finish: **chrome** Part no. : **27143001**



**Exploded drawing**

Year of production: >07/12



**Croma**  
**Showerpipe 150 1-Jet with Tub Filler, 2.0 GPM**  
 Finish: **chrome** Part no. : **27143001**



## Spare parts list

Year of production: >07/12

Pos.	Description	Part no.	Price	PU
1	head shower	04342000	-	1
2	handshower	04083000	-	1
3	filter packing	94246000	-	1
4	shower hose Isiflex'B 2,00 m	28274000	-	1
5	set of non return valves DW 15	94074000	-	1
6	safety set for temperature control	98916000	-	1
7	nut	98913000	-	1
8	thermostat cartridge	98282001	-	1
9	shut off unit with selector	98283000	-	1
10	aerator M24x1 (30 l/min)	96512000	-	1
11	set of nuts	96157000	-	1
12	non return valve	96737000	-	1
13	filter packing	96922000	-	1
14	selector assy	94077000	-	1
15	pipe 1450 mm	96770000	-	1
16	support, assy	97651000	-	1
17	mounting set	96179000	-	1
18	wall flange	95688000	-	1
19	tile-matching-disk 7 mm	95239000	-	1
20	O-ring 12x2	98214000	-	1
21	O-ring 15x2,5	98131000	-	1
22	O-ring 17x1,5	98137000	-	1
23	sleeve	92166000	-	1
24	sleeve	97738000	-	1
25	diverter knob	96466000	-	1
26	shower arm	95137000	-	1
27	escutcheon Ø 60 mm	95692000	-	1
28	handle	98915000	-	1
29	isolation valve	98341000	-	1
30	escutcheon	98340000	-	1
31	filter packing	88649000	-	1
a	diverter fixing device	97211000	-	1
b	pushbutton	92848000	-	1