

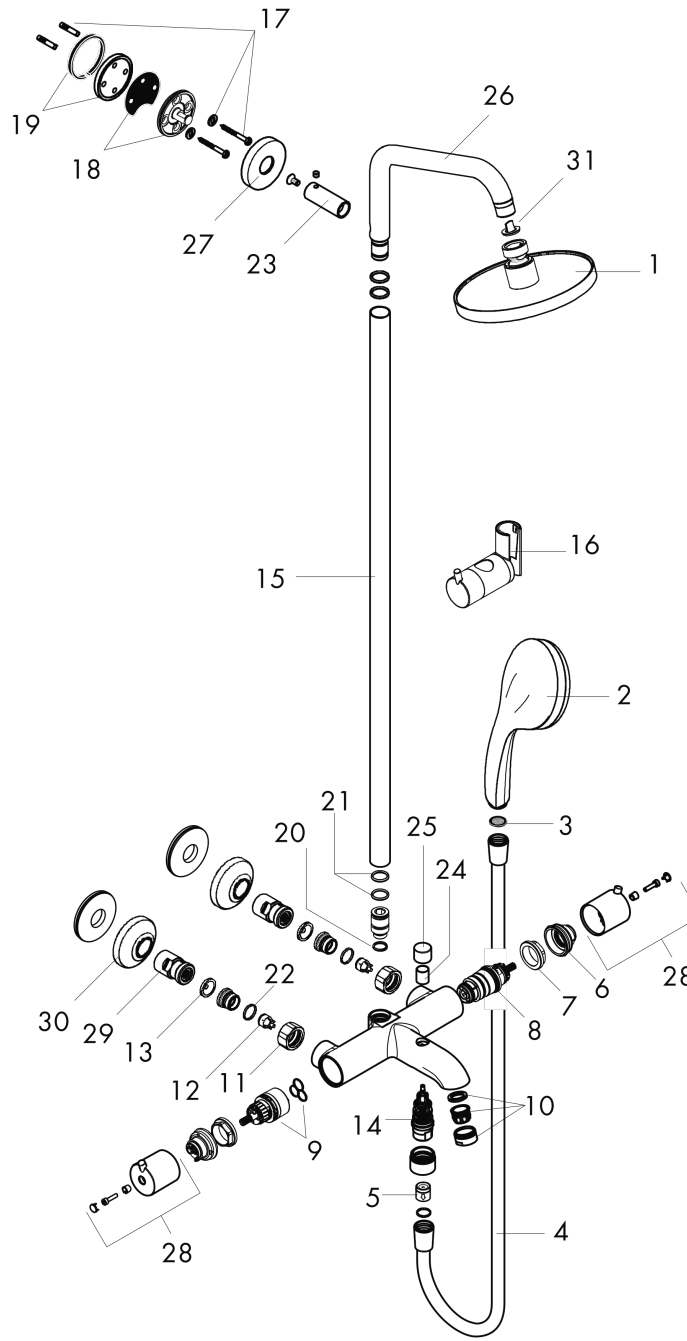


**Croma**  
**Showerpipe 150 1-Jet with Tub Filler, 2.0 GPM**  
 Finish: brushed nickel Part no. : 27143821



Exploded drawing

Year of production: >07/12



## Croma

### Showerpipe 150 1-Jet with Tub Filler, 2.0 GPM

Finish: **brushed nickel** Part no. : **27143821**



#### Spare parts list

Year of production: >07/12

| Pos. | Description                        | Part no. | Price | PU |
|------|------------------------------------|----------|-------|----|
| 1    | head shower                        | 04342820 | -     | 1  |
| 2    | handshower                         | 04083820 | -     | 1  |
| 3    | filter packing                     | 94246000 | -     | 1  |
| 4    | shower hose Isiflex'B 2,00 m       | 28274820 | -     | 1  |
| 5    | set of non return valves DW 15     | 94074000 | -     | 1  |
| 6    | safety set for temperature control | 98916000 | -     | 1  |
| 7    | nut                                | 98913000 | -     | 1  |
| 8    | thermostat cartridge               | 98282001 | -     | 1  |
| 9    | shut off unit with selector        | 98283000 | -     | 1  |
| 10   | aerator M24x1 (30 l/min)           | 96512820 | -     | 1  |
| 11   | set of nuts                        | 96157820 | -     | 1  |
| 12   | non return valve                   | 96737000 | -     | 1  |
| 13   | filter packing                     | 96922000 | -     | 1  |
| 14   | selector assy                      | 94077000 | -     | 1  |
| 15   | pipe 1200 mm                       | 95665820 | -     | 1  |
| 16   | support, assy                      | 97651820 | -     | 1  |
| 17   | mounting set                       | 96179000 | -     | 1  |
| 18   | wall flange                        | 95688000 | -     | 1  |
| 19   | tile-matching-disk 7 mm            | 95239820 | -     | 1  |
| 20   | O-ring 12x2                        | 98214000 | -     | 1  |
| 21   | O-ring 15x2,5                      | 98131000 | -     | 1  |
| 22   | O-ring 17x1,5                      | 98137000 | -     | 1  |
| 23   | sleeve                             | 92166820 | -     | 1  |
| 24   | sleeve                             | 97738820 | -     | 1  |
| 25   | diverter knob                      | 96466820 | -     | 1  |
| 26   | shower arm                         | 95137820 | -     | 1  |
| 27   | escutcheon Ø 60 mm                 | 95692820 | -     | 1  |
| 29   | isolation valve                    | 98341820 | -     | 1  |
| 30   | escutcheon                         | 98340820 | -     | 1  |
| 31   | filter packing                     | 88649000 | -     | 1  |