

**Handshower Holder S**

Finish: **brushed nickel** Part no. : **28331820**



**Description**

**Features**

- For shower hose with conical nut
- Wall-mounted
- Diameter of drilled hole: 0.23"

**Item details**

List Price \$ 69.00

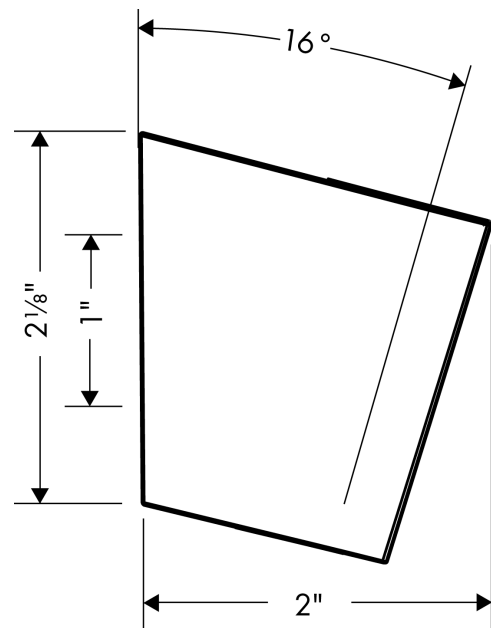
**Design awards**



**Product image**



**Scale drawing**



**Handshower Holder S**

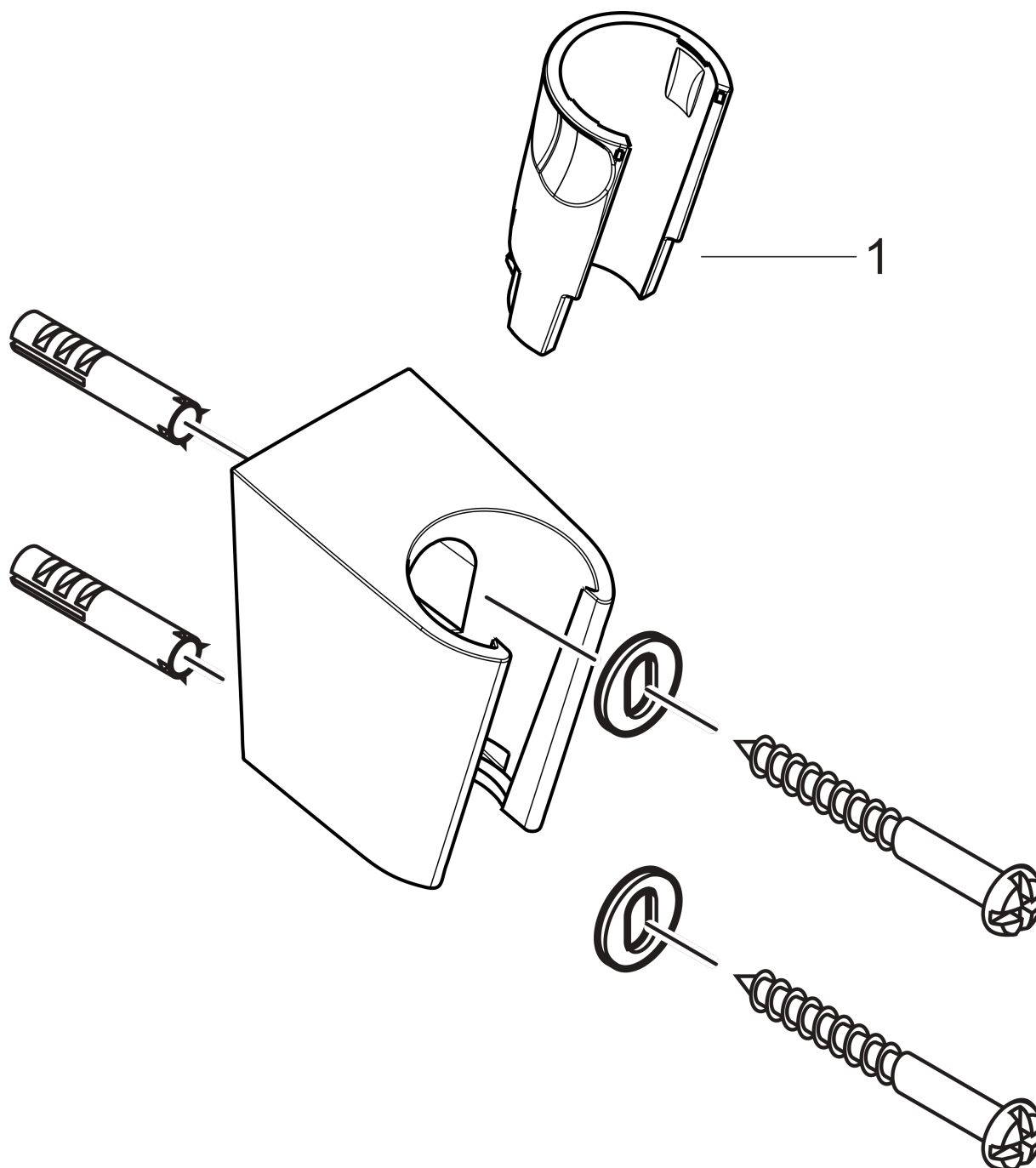
Finish: **brushed nickel**

Part no. : **28331820**



**Exploded drawing**

Year of production: >11/16



**Handshower Holder S**

Finish: **brushed nickel**    Part no. : **28331820**



**Spare parts list**

Year of production: >11/16

Pos.	Description	Part no.	Price	PU
1	guide	98918000	-	1