

Handshower Holder S

Finish: **polished nickel** Part no. : **28331830**



Description

Features

- For shower hose with conical nut
- Wall-mounted
- Diameter of drilled hole: 0.23"

Item details

List Price \$ 66.00

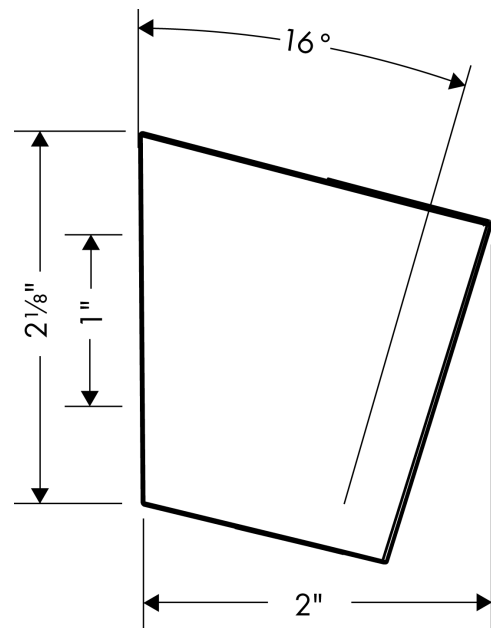
Design awards



Product image



Scale drawing



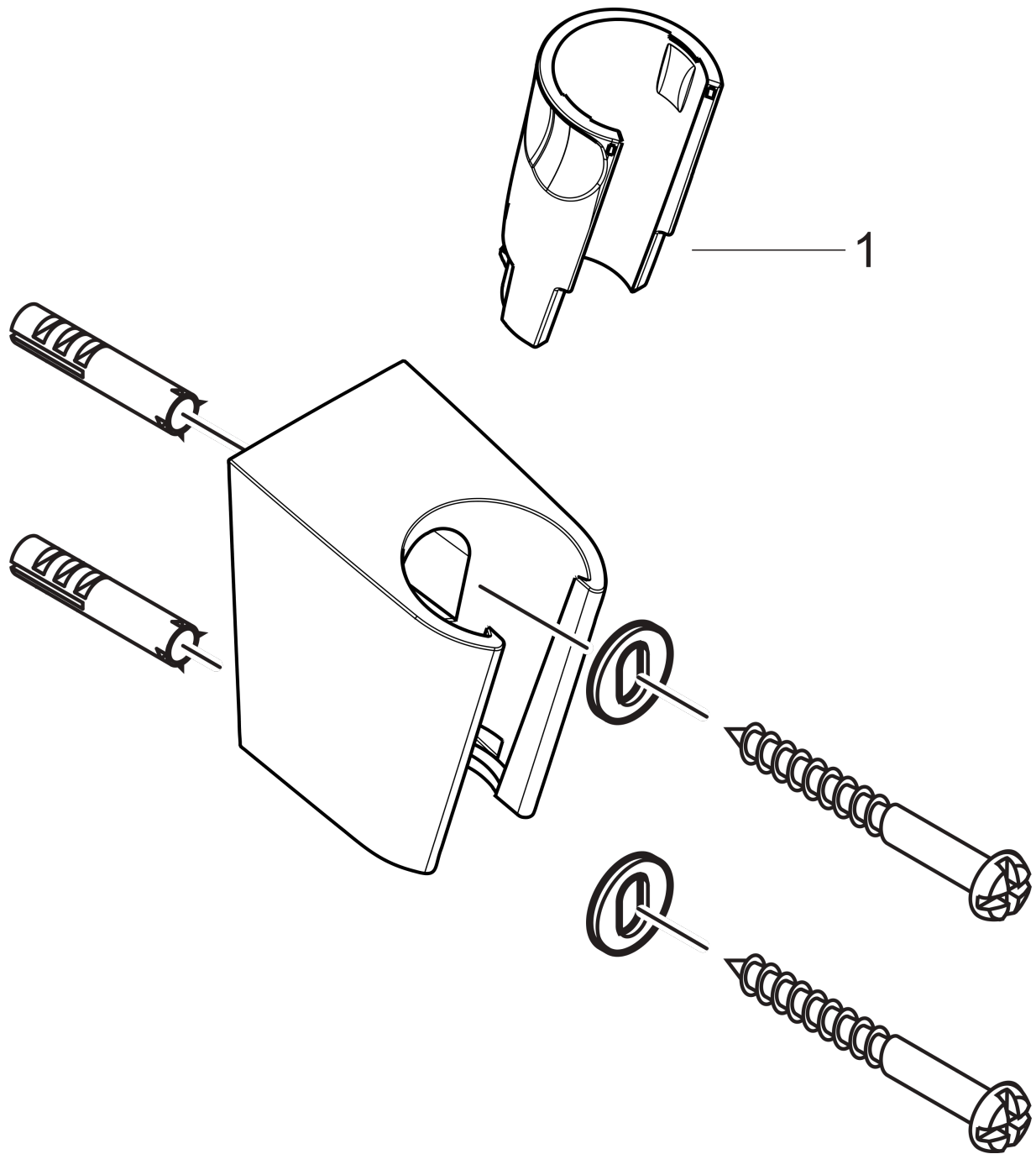
Handshower Holder S
 Finish: **polished nickel**

Part no. : **28331830**



Exploded drawing

Year of production: >11/16



Handshower Holder S
 Finish: **polished nickel** Part no. : **28331830**



Spare parts list

Year of production: >11/16

Pos.	Description	Part no.	Price	PU
1	guide	98918000	-	1