

Metris

Single-Hole Faucet 110 with Pop-Up Drain, 1.2 GPM

Finish: **brushed nickel** Part no. : **31080821**



Description

Features

- Handle variant: Lever
- Spray modes: aerated spray
- Max. flow: 1.2 GPM (4.5 L/Min)
- Ceramic cartridge
- Includes pop-up drain

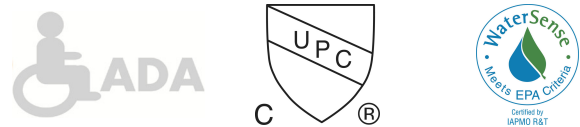
Item details

List Price \$ 610.00

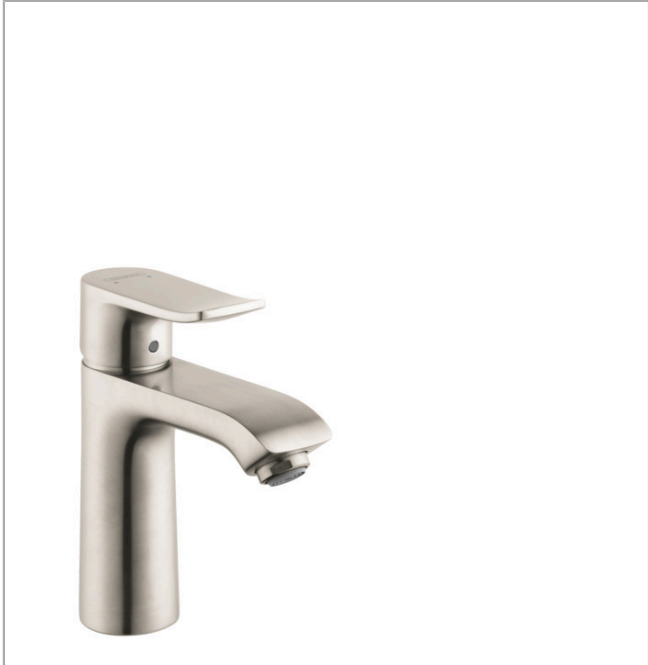
Technology



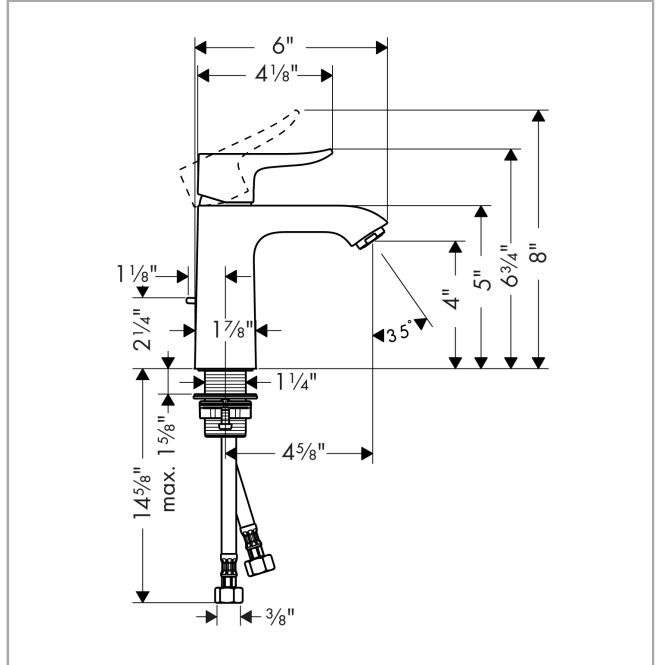
Compliance / Sustainability



Product image



Scale drawing

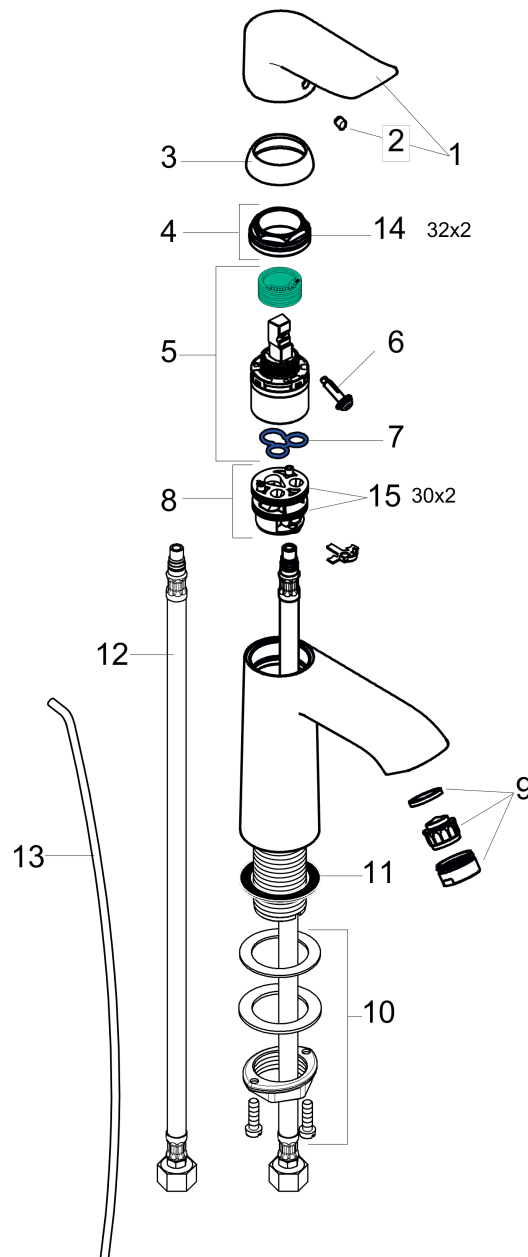


Metris
Single-Hole Faucet 110 with Pop-Up Drain, 1.2 GPM
 Finish: brushed nickel Part no. : 31080821



Exploded drawing

Year of production: >07/16



Metris

Single-Hole Faucet 110 with Pop-Up Drain, 1.2 GPM

Finish: **brushed nickel** Part no. : **31080821**



Spare parts list

Year of production: >07/16

Pos.	Description	Part no.	Price	PU
1	handle	95519820	-	1
2	screw cover	96338000	-	1
3	flange	97406820	-	1
4	nut	97209000	-	1
5	cartridge, assy	95646001	-	1
6	locking screw for handle	95140000	-	1
7	seal	95008000	-	1
8	adapter for cartridge	98750000	-	1
9	aerator M24x1 (4,5 l/min)	92877820	-	1
10	fixing set (Ø 32)	13961000	-	1
11	flat seal	98749000	-	1
12	connection hose 18½" M8x0,75 3/8"	96321001	-	1
13	pull rod	96657820	-	1
14	O-Ring 32x2	98193000	-	1
15	O-Ring 30x2	98186000	-	1
a	pop up waste	88509820	-	1