

Metris C
Single-Hole Bidet Faucet

Finish: **polished nickel** Part no. : **31275831**



Description

Features

- Pivoting aerator
- Max. flow: 1.5 GPM (5.7 L/Min)
- Ceramic cartridge
- Includes pop-up drain

Item details

List Price \$ 589.00

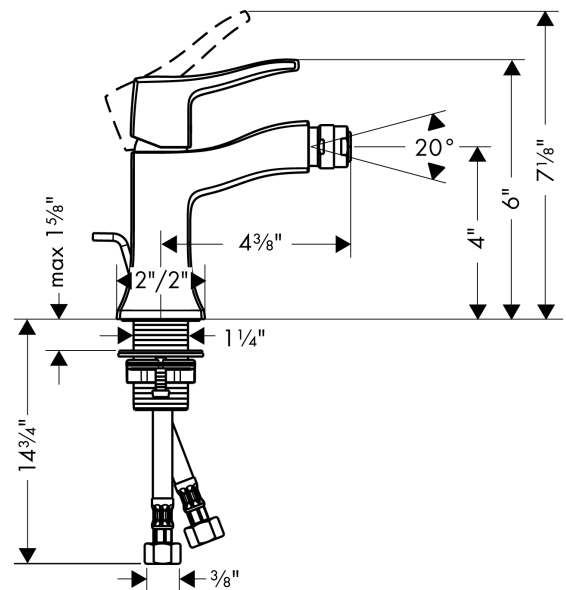
Compliance / Sustainability



Product image



Scale drawing

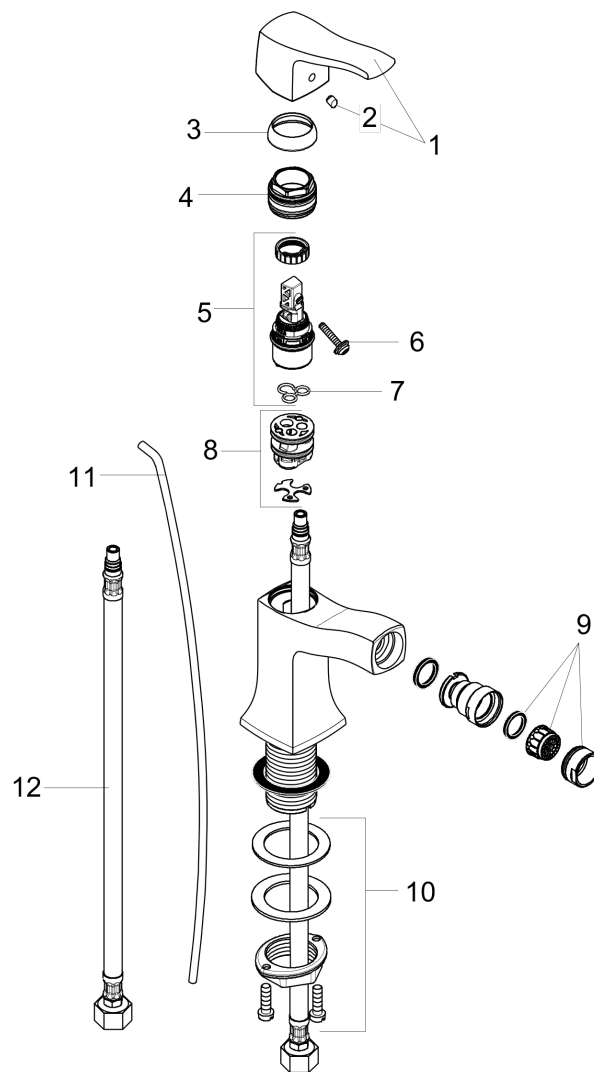


Metris C
Single-Hole Bidet Faucet
 Finish: **polished nickel** Part no. : **31275831**



Exploded drawing

Year of production: >04/09



Metris C

Single-Hole Bidet Faucet

Finish: **polished nickel** Part no. : **31275831**



Spare parts list

Year of production: >04/09

Pos.	Description	Part no.	Price	PU
1	handle	31291830	-	1
2	screw cover	96338000	-	1
3	flange	98863830	-	1
4	nut	98864000	-	1
5	cartridge, assy	97685000	-	1
6	locking screw for handle	95140000	-	1
7	seal	98865000	-	1
8	adapter for cartridge	98866000	-	1
9	aerator M24x1 (7 l/min)	13912830	-	1
10	fixing set (Ø 32)	13961000	-	1
11	pull rod	96657830	-	1
12	connection hose 18½" M8x0,75 3/8"	96321001	-	1
a	pop up waste	88509830	-	1
b	fixation extension 35 mm	13898000	-	1