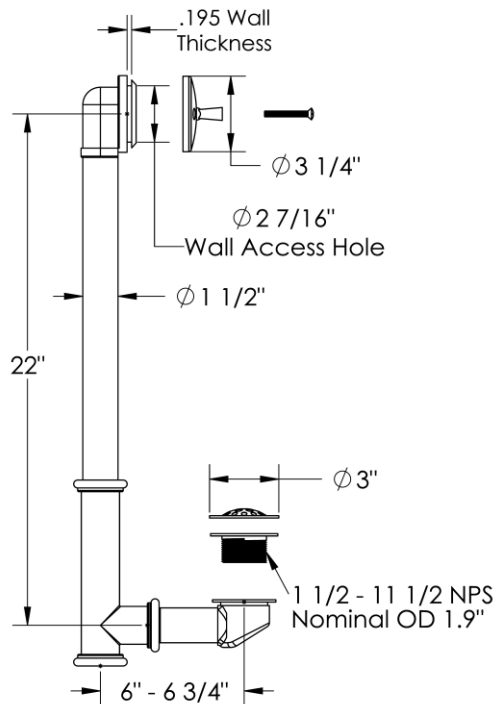


MW04

22" Trip Lever Waste & Overflow for Exposed Tubs

(All Parts are Finished)



WATERMARK DESIGNS

350 Dewitt Avenue Brooklyn NY 11207 USA T 718 257 2800 F 718 257 2144 info@watermark-designs.com